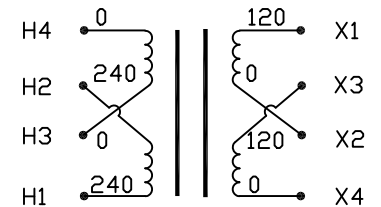
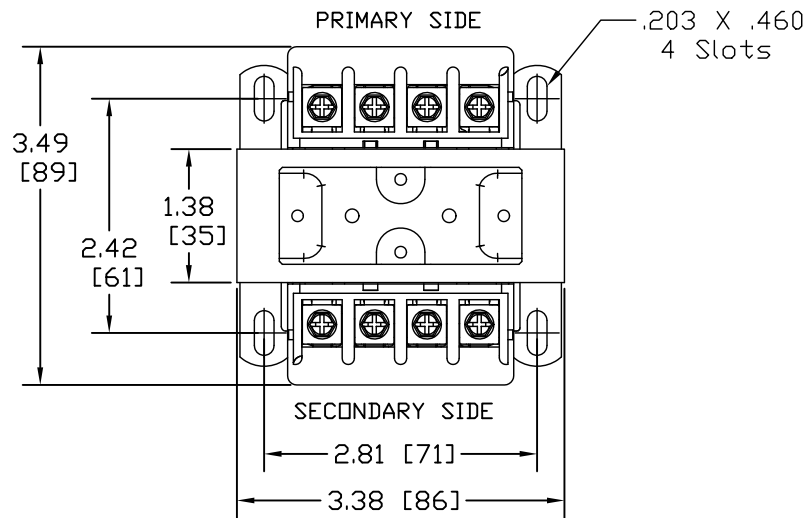


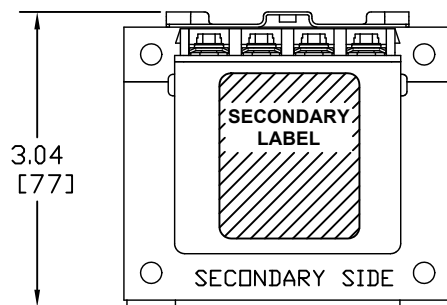
Transformer Specifications	
PRIMARY VOLTAGE(S)	240x480
SECONDARY VOLTAGE(S)	120x240
RATED V.A.	100
RATED FREQUENCY	50/60
INSULATION CLASS	105
AGENCY APPROVALS	UL,CUL
ESTIMATED WEIGHT	4.4 LBS



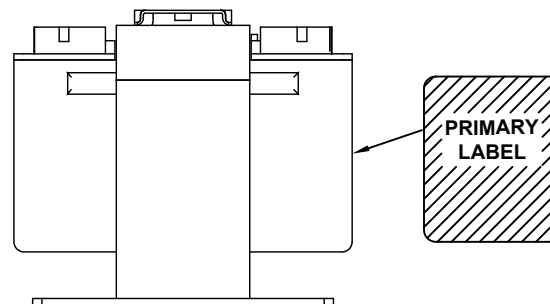
CONNECTION DIAGRAM

NOTES:

1. ALL MEASUREMENTS IN INCHES (MM)
2. TERMINAL SCREWS ARE COMBO #8-32 PHIL-SLOT-1/4" HEX WITH SEMS WASHER.



SECONDARY SIDE PRIMARY SIDE



PACKAGED ACCESSORIES							
1	2 PAIR OF J2 JUMPERS						
-	-						
MICRON INDUSTRIES CORPORATION 777 CHURCH ROAD - ELMHURST, IL 60126 Tel: (630)664-4660, (630)516-1222 Fax: (630)516-1820 www.MicronTransformers.com							
DATE	3/12/08	DRAWN	J.G.V	CHECKED		APPROVED	
RELEASE DATE		CUSTOMER PART NO.					
MICRON PART NO.	B100PU1519JJA3		B100PU1519JJB3				
SIZE	C	SCALE	NONE		B100PU1519JJ		

B	I3 CONSTRUCTION	AN00XXXX	XX	XXXX		
A	NEW		J.V	3/12/08		
ECL	REVISIONS		BY	DATE		