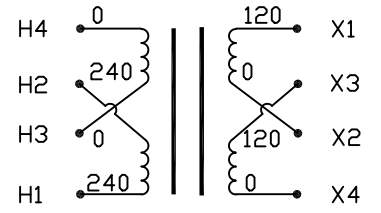
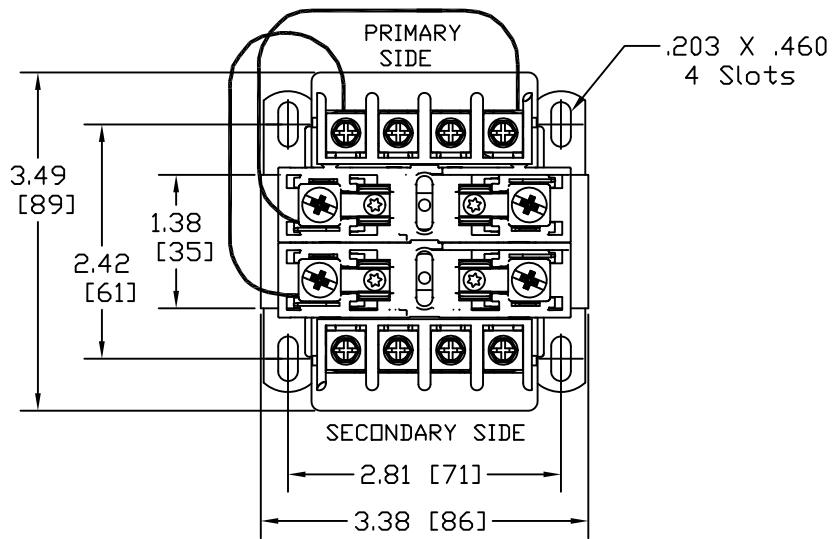
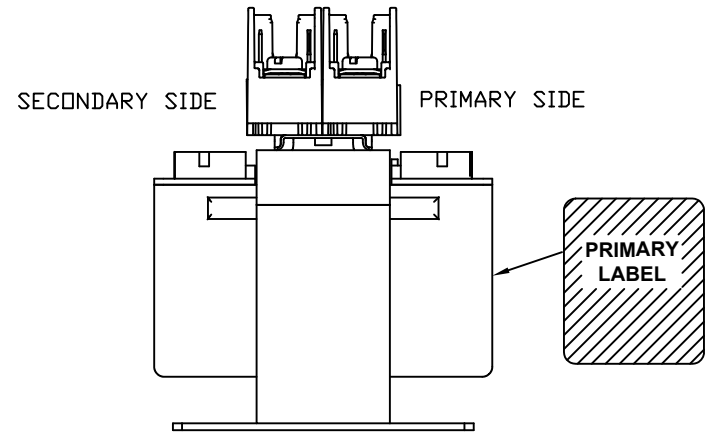
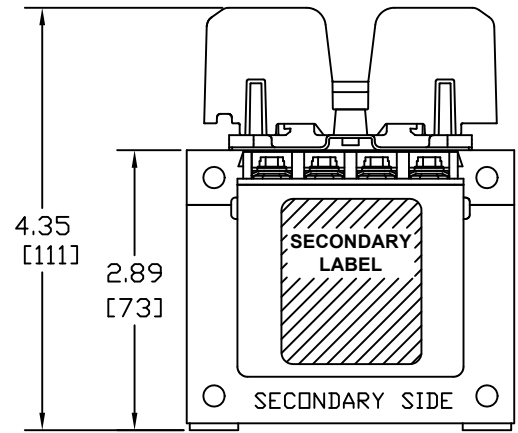


Transformer Specifications	
PRIMARY VOLTAGE(S)	240x480
SECONDARY VOLTAGE(S)	120x240
RATED V.A.	100
RATED FREQUENCY	50/60
INSULATION CLASS	105
AGENCY APPROVALS	UL,CUL
ESTIMATED WEIGHT	4.4 LBS



CONNECTION DIAGRAM



NOTES:

1. ALL MEASUREMENTS IN INCHES (MM)
2. TERMINAL SCREWS ARE COMBO #8-32 PHIL-SLOT-1/4" HEX WITH SEMS WASHER.
3. 2 POLE, CLASS "CC" PRIMARY FUSE BLOCK, ACCOMMODATES TWO 13/32" X 1-1/2" CLASS "CC" FUSES.

PACKAGED ACCESSORIES			
1	2 PAIR OF JUMPERS		
-	-		
MICRON INDUSTRIES CORPORATION 777 CHURCH ROAD - ELMHURST, IL 60126 Tel. (800)664-4660, (630)516-1222 Fax (630)516-1820 www.MicronTransformers.com			
DATE	3/12/08	DRAWN	J.G.V.
CHECKED		APPROVED	
RELEASE DATE		CUSTOMER PART NO.	
MICRON PART NO.	B100PU1519RRA3 B100PU1519RRB3		
SIZE	C	SCALE	NONE
B100PU1519RR			

B	I3 CONSTRUCTION	AN00XXXX	XX	XXXX
A	NEW		J.V	3/12/08
ECL	REVISIONS		BY	DATE