

MICRON CONTROL TRANSFORMERS
800 664-4660
www.MicronTransformers.com

100VA
PRIMARY:
380/400/415

QTY. 1

SECONDARY:
110X220

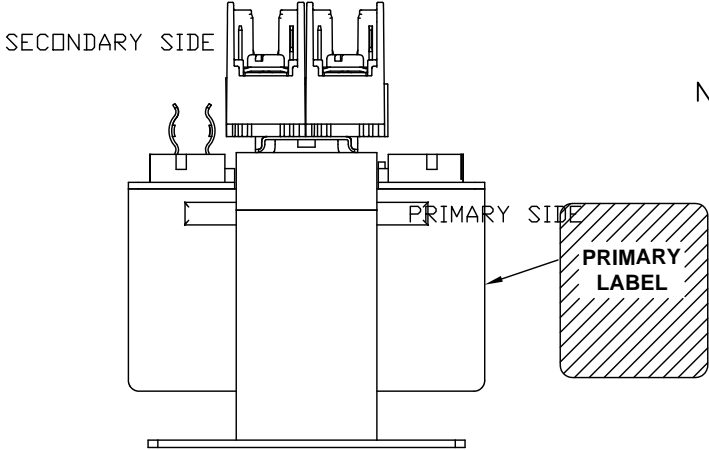
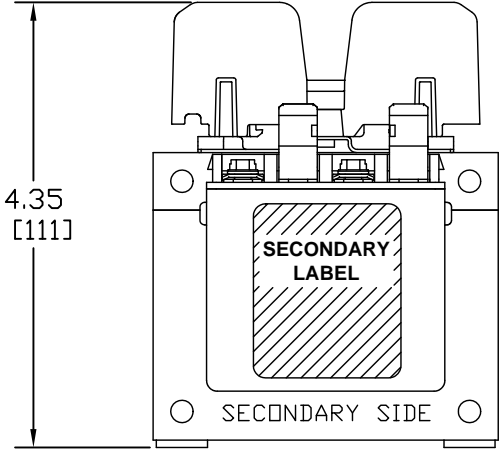
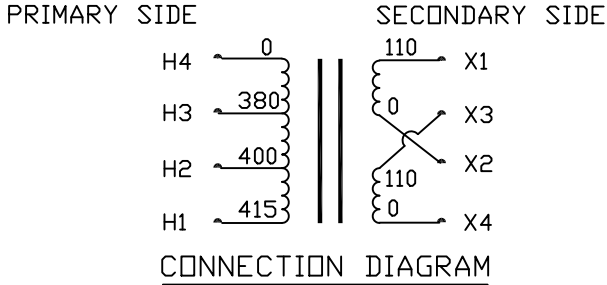
FREQUENCY:
50/60Hz

MADE IN USA

CAT.
B100RFD34RJ

B100RFD34RJ 49192

Transformer Specifications	
PRIMARY VOLTAGE(S)	380/400/415
SECONDARY VOLTAGE(S)	110x220
RATED V.A.	100
RATED FREQUENCY	50/60
INSULATION CLASS	105
AGENCY APPROVALS	UL, CUL
ESTIMATED WEIGHT	5.2 LBS



- NOTES:
- ALL MEASUREMENTS IN INCHES (MM)
 - TERMINAL SCREWS ARE COMBO #8-32 PHIL-SLOT-1/4" HEX WITH SEMS WASHER.
 - 2 POLE, CLASS "CC" PRIMARY FUSE BLOCK, ACCOMMODATES TWO 13/32" X 1-1/2" CLASS "CC" FUSES.

H4	H3	H2	H1	X4	X2	X3	X1	H4F H1F, H2F or H3F
ImperviTRAN U.S. PAT. NO. 3518040 MICRON CONTROL TRANSFORMERS 800 664-4660 www.MicronTransformers.com 100 VA 50/60 HZ TEMP CL 105 °C LISTED 49192 702X CAT. NO. B100RFD34RJ								

PACKAGED ACCESSORIES			
1	1 PAIR OF JUMPERS		
-	-		
MICRON INDUSTRIES CORPORATION 1211 W. 22nd STREET, Suite 200, DAK BROOK, ILL. Tel: (800)664-4660; (630)516-1222 Fax (630)516-1820 www.MicronPower.com			
DATE	11/27/19	DRAWN	RF
RELEASE DATE		CHECKED	
		CUSTOMER PART NO.	
MICRON PART NO.	B100RFD34RJA3 B100RFD34RJB3		
SIZE	C	SCALE	NONE
B100RFD34RJ			

A	I3 CONSTRUCTION	AN006456	RF	11/27/19
ECL	REVISIONS		BY	DATE