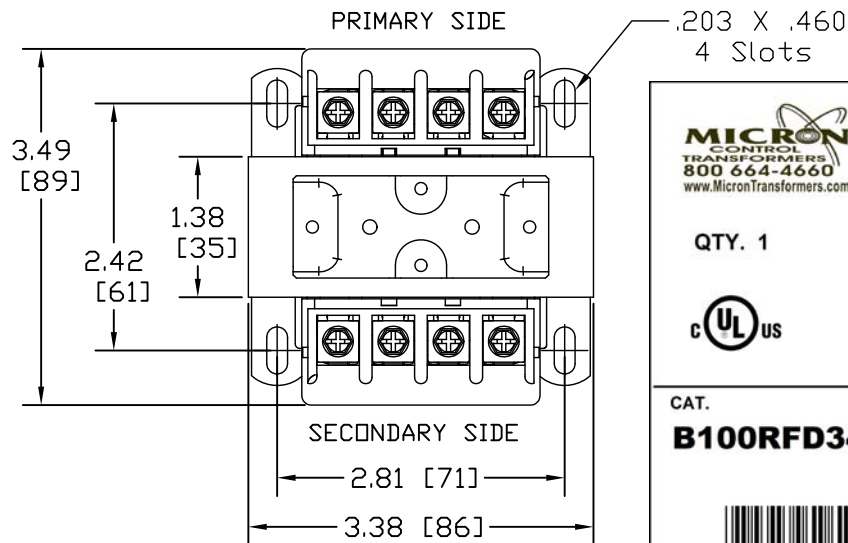


Transformer Specifications	
PRIMARY VOLTAGE(S)	380/400/415
SECONDARY VOLTAGE(S)	110x220
RATED V.A.	100
RATED FREQUENCY	50/60
INSULATION CLASS	105
AGENCY APPROVALS	UL, CUL
ESTIMATED WEIGHT	5.2 LBS



MICRON CONTROL TRANSFORMERS
800 664-4660
www.MicronTransformers.com

100VA
PRIMARY:
380/400/415

QTY. 1

SECONDARY:
110X220

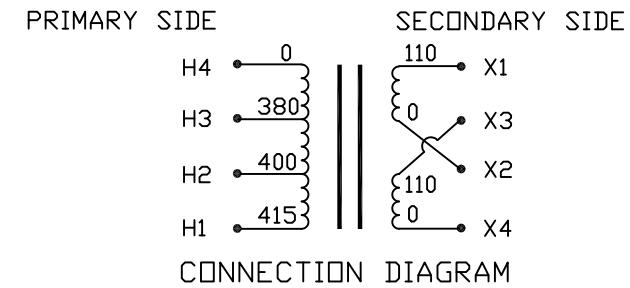
FREQUENCY:
50/60Hz

UL US

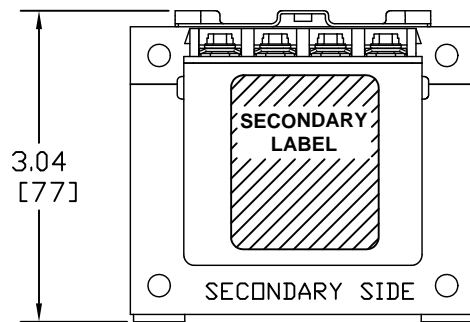
MADE IN USA

CAT.
B100RFD34XJ

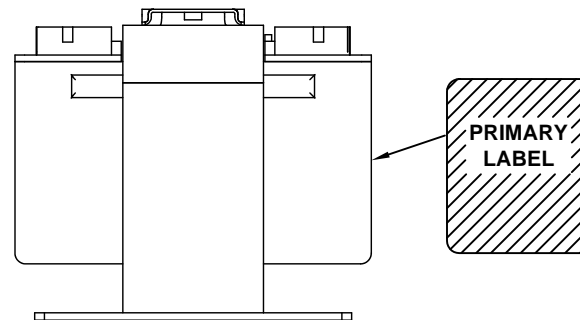
B100RFD34XJ 49192



- NOTES:
- ALL MEASUREMENTS IN INCHES (MM)
 - TERMINAL SCREWS ARE COMBO #8-32 PHIL-SLOT-1/4" HEX WITH SEMS WASHER.



SECONDARY SIDE PRIMARY SIDE



H4	H3	H2	H1	X4	X2	X3	X1
ImperviTRAN U.S. PAT. NO. 3518040							
MICRON 100 VA							
THE MICRON TRANSFORMER CO. 800 664-4660 www.MicronTransformers.com							
50/60 HZ							
TEMP CL 105 °C							
UL LISTED 702X 49192							
CAT. B100RFD34XJ							
				CAT. NO. B100RFD34XJ			

PACKAGED ACCESSORIES			
1	1 PAIR OF JUMPERS		
-	-		
MICRON INDUSTRIES CORPORATION 1211 W. 22nd STREET, Suite 200, OAK BRIDGE, ILL. Tel: (800)664-4660, (630)516-1222 Fax: (630)516-1820 www.MicronPower.com			
DATE	11/27/19	DRAWN	RF
CHECKED		APPROVED	
RELEASE DATE		CUSTOMER PART NO.	
MICRON PART NO.	B100RFD34XJA3 B100RFD34XJB3		
SIZE	A	SCALE	NONE
ECL		B100RFD34XJ	

A	I3 CONSTRUCTION	AN006456	RF	11/27/19
ECL	REVISIONS		BY	DATE