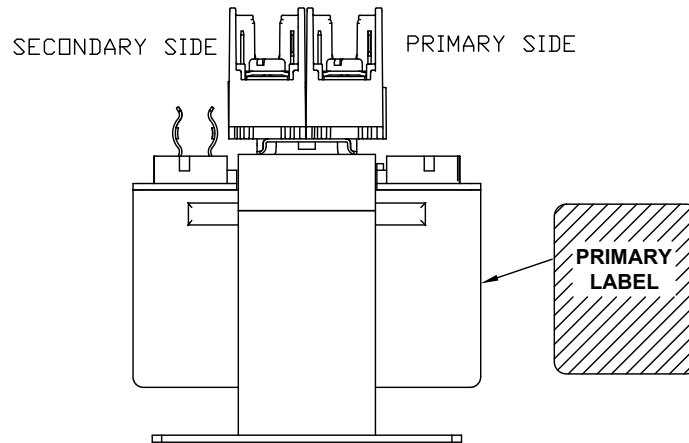
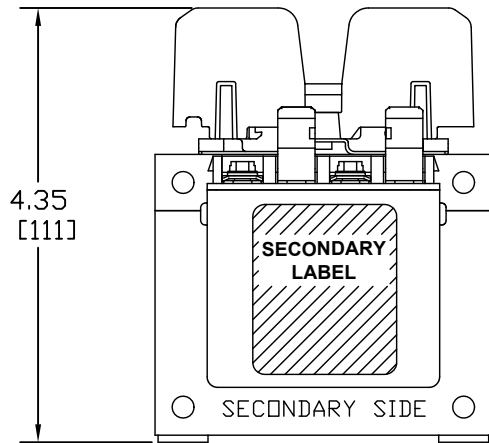
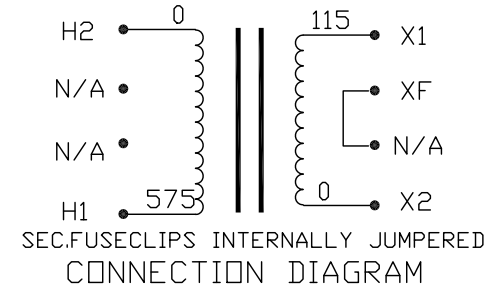
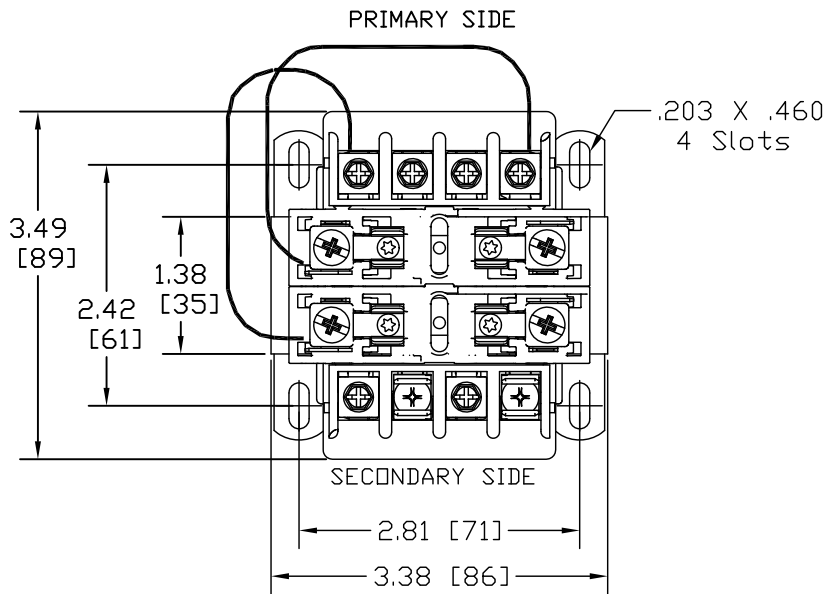


Transformer Specifications	
PRIMARY VOLTAGE(S)	575 TRIPLE RATED
SECONDARY VOLTAGE(S)	115
RATED V.A.	100
RATED FREQUENCY	50/60
INSULATION CLASS	105
AGENCY APPROVALS	UL, CUL
ESTIMATED WEIGHT	4.2 LBS



NOTES:

1. ALL MEASUREMENTS IN INCHES (MM)
2. TERMINAL SCREWS ARE COMBO #8-32 PHIL-SLOT-1/4" HEX WITH SEMS WASHER.
3. 2 POLE, CLASS "CC" PRIMARY FUSE BLOCK, ACCOMMODATES TWO 13/32" X 1-1/2" CLASS "CC" FUSES.
4. SECONDARY FUSE CLIP ACCOMMODATES ONE 13/32" X 1-1/2" MIDGET FUSE.

PACKAGED ACCESSORIES			
1			
-	-		
<p>MICRON INDUSTRIES CORPORATION CONTROL TRANSFORMER 1211 W. 22nd STREET, Suite 200, DAK BROOK, ILL. Tel. (800)664-4660, (630)516-1222 Fax (630)516-1820 www.MicronPower.com</p>			
DATE	05/27/09	DRAWN	RN
RELEASE DATE		CHECKED	
		CUSTOMER PART NO.	
MICRON PART NO.	B100WZ13RKA3 B100WZ13RKB3		
SIZE	C	SCALE	NONE
B100WZ13RK			

A	I3 CONSTRUCTION	AN00XXXX	XX	XXXX
ECL	REVISIONS		BY	DATE