

**MICRON**  
CONTROL TRANSFORMERS  
800 664-4660  
www.MicronTransformers.com

150VA  
PRIMARY:  
280/230/460

QTY. 1

SECONDARY:  
24/115

FREQUENCY:  
50/60Hz

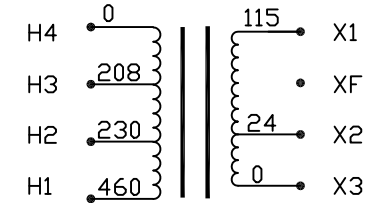
UL US

MADE IN USA

CAT.  
**B150-2003-8F**

B150-2003-8F 49194

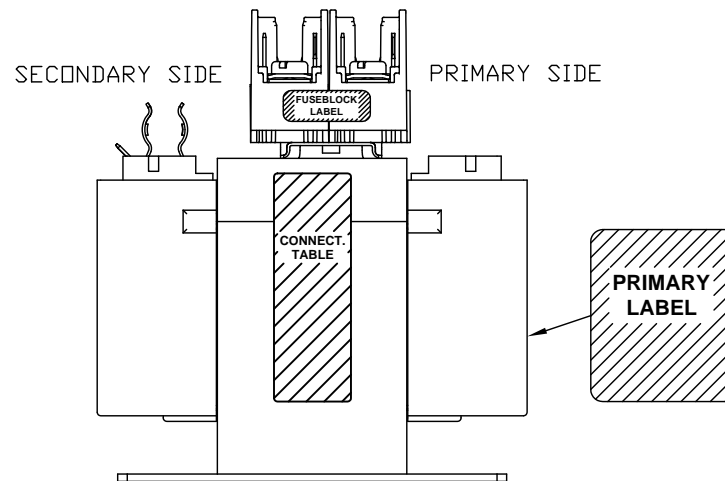
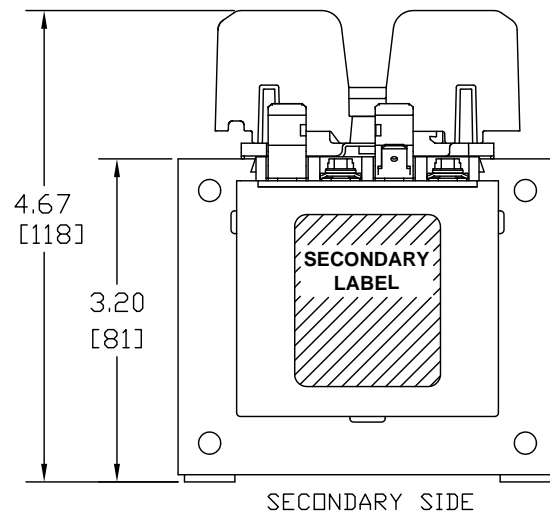
Transformer Specifications	
PRIMARY VOLTAGE(S)	208/230/460 (TRIPLE)
SECONDARY VOLTAGE(S)	24/115
RATED V.A.	150
RATED FREQUENCY	50/60
INSULATION CLASS	130
AGENCY APPROVALS	UL,CUL
ESTIMATED WEIGHT	7.9 LBS



CONNECTION DIAGRAM

NOTES:

1. ALL MEASUREMENTS IN INCHES (MM)
2. TERMINAL SCREWS ARE COMBO #8-32 PHIL-SLOT-1/4" HEX WITH SEMS WASHER.
3. 2 POLE, CLASS "CC" PRIMARY FUSE BLOCK, ACCOMMODATES TWO 13/32" X 1-1/2" CLASS "CC" FUSES.
4. SECONDARY FUSE CLIP ACCOMMODATES ONE 13/32" X 1-1/2" MIDGET FUSE.



H4 H3 H2 H1

**Impervitran**  
U.S. PAT. NO. 3518040

MICRON CONTROL TRANSFORMERS  
800 664-4660  
www.MicronPower.com

150 VA  
50/60 HZ

UL US LISTED 702X

TEMP CL 130 °C

CAT. NO. **B150-2003-8F**

X3 X2 XF X1

Move Lead H to Select Input Voltage  
See Table for Connections

H1 H2 H3 H4

X3 X2 XF X1

CAT. **B150-2003-8F**  
NO.

H4

H1, H2 OR H3

INPUT VOLTAGE		OUTPUT VOLTAGE	
H4-H3	H4-H2 H4-H1	XF-X2	XF-X1
--	240 480	25	120
208	230 460	24	115
200	220 440	23	110

NOTE: IF BOTH OUTPUTS ARE USED SIMULTANEOUSLY, REPLACE XF WITH X3 AND FUSE THROUGH X2 AND X1 IF REQUIRED

PACKAGED ACCESSORIES

1	
-	-

**MICRON INDUSTRIES CORPORATION**  
CONTROL TRANSFORMER  
1211 V.229th STREET, Suite 200, DAK BROOK, ILL  
Tel: (800)664-4660, (630)701-1225 Fax: (630)516-1820  
www.MicronPower.com

DATE	11/18/19	DRAWN	JAW	CHECKED		APPROVED	
RELEASE DATE		CUSTOMER PART NO.					

MICRON PART NO.	B150-2003-8FA3 B150-2003-8FB3
-----------------	----------------------------------

A	I3 CONSTR/BASE	AN006466	JW	11/18/19	SIZE	SCALE	
ECL	REVISIONS		BY	DATE	C	NONE	

B150-2003-8F