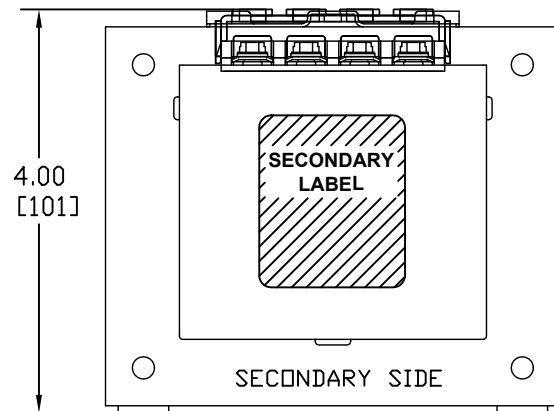


CONNECTION DIAGRAM

RATING: 150VA 50/60HZ  
 PRI. 240x480 VOLTS  
 SEC. 24 VOLTS  
 TEMP.CLASS 130  
 PER IEC 558-2-2

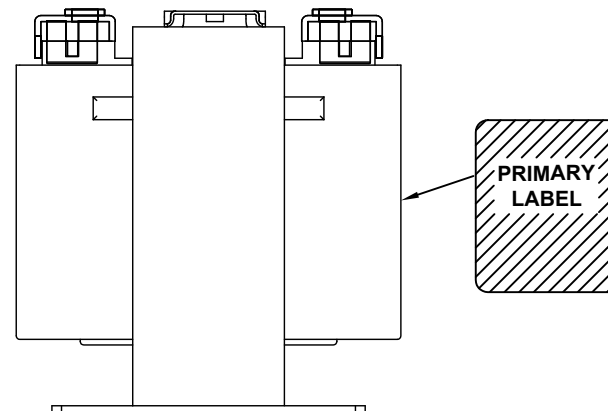
NOTES:

1. ALL MEASUREMENTS IN INCHES (MM)
2. TERMINAL SCREWS ARE COMBO #8-32 PHIL-SLOT-1/4" HEX WITH SEMS WASHER.
3. IP-20 TERMINAL COVERS INSTALLED



SECONDARY SIDE

PRIMARY SIDE



PACKAGED ACCESSORIES

1	PAIR OF JUMPERS
-	-

**MICRON** CONTROL TRANSFORMER  
 MICRON INDUSTRIES CORPORATION  
 1211 W. 22nd STREET, Suite 200, OAK BROOK, ILL.  
 Tel. (800)664-4660, (630)516-1222 Fax (630)516-1820  
 www.MicronPower.com

DATE	7/15/09	DRAWN	J.G.V	CHECKED		APPROVED	
------	---------	-------	-------	---------	--	----------	--

RELEASE DATE		CUSTOMER PART NO.	
--------------	--	-------------------	--

MICRON PART NO.	B150-2014-GAFA3
-----------------	-----------------

SIZE	C	SCALE	NONE	B150-2014-GAF
------	---	-------	------	---------------

A	I3 CONSTRUCTION	AN00XXXX	XX	XXXX	
ECL	REVISIONS		BY	DATE	