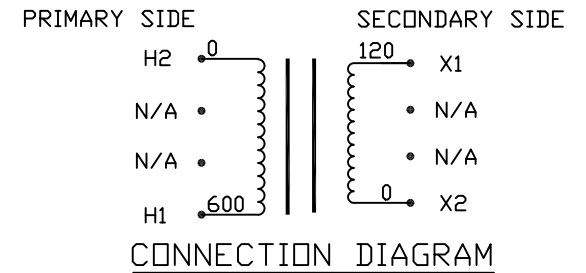
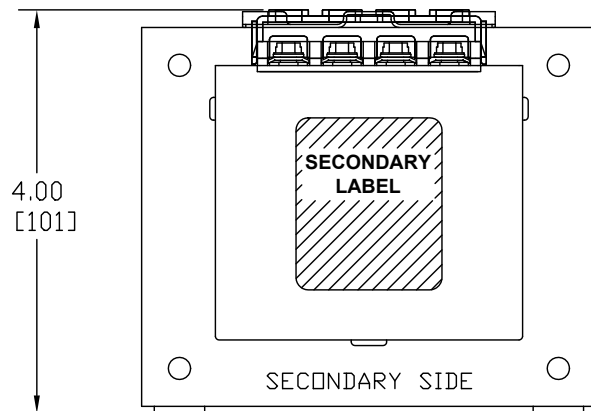


Transformer Specifications	
PRIMARY VOLTAGE(S)	575 (TRIPLE RATED)
SECONDARY VOLTAGE(S)	115
RATED V.A.	200
RATED FREQUENCY	50/60
INSULATION CLASS	130
AGENCY APPROVALS	UL, CUL, IEC558
ESTIMATED WEIGHT	8.7 LBS



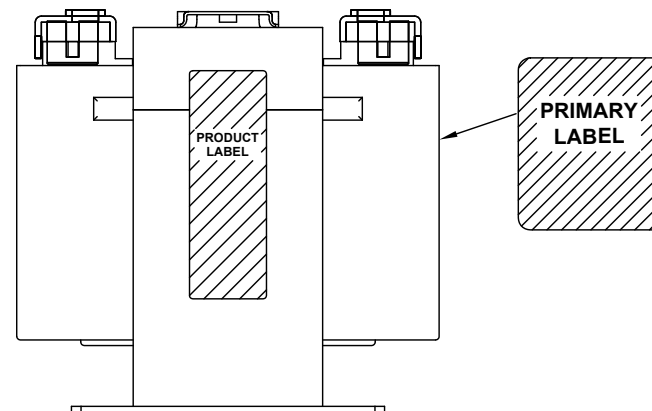
NOTES:

1. ALL MEASUREMENTS IN INCHES (MM)
2. TERMINAL SCREWS ARE COMBO #8-32 PHIL-SLOT-1/4" HEX WITH SEMS WASHER.
3. IP-20 TERMINAL COVERS INSTALLED



SECONDARY SIDE

PRIMARY SIDE



PACKAGED ACCESSORIES	
1	
-	-

MICRON INDUSTRIES CORPORATION
 777 CHURCH ROAD ELMHURST, IL 60126
 CONTROL TRANSFORMER Tel. (800)664-4660, (630)516-1222 Fax (630)516-1820
 www.MicronTransformers.com

DATE	6/21/09	DRAWN	J.G.V	CHECKED		APPROVED	
RELEASE DATE		CUSTOMER PART NO.					
MICRON PART NO.	B150-2044-GAFA3		B150-2044-GAF B3				
SIZE	C	SCALE	NONE				
A I3 CONSTRUCTION		AN00XXXX	XX	XXXX			
ECL	REVISIONS		BY	DATE			

B150-2044-GAF