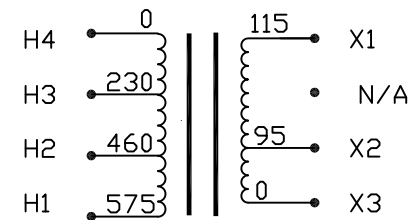


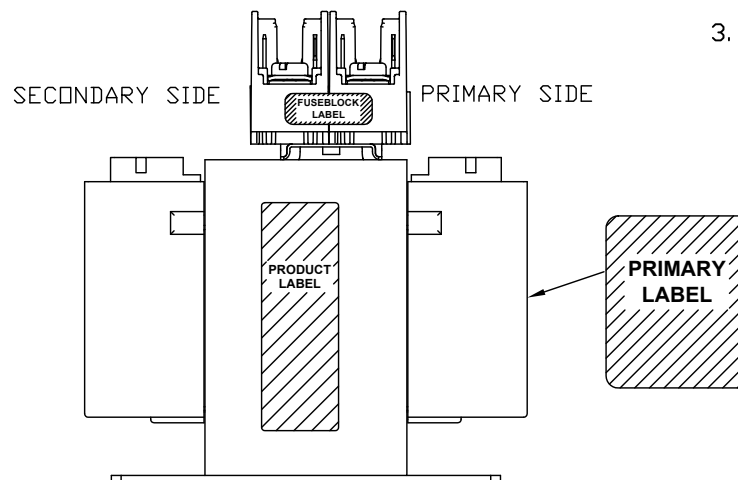
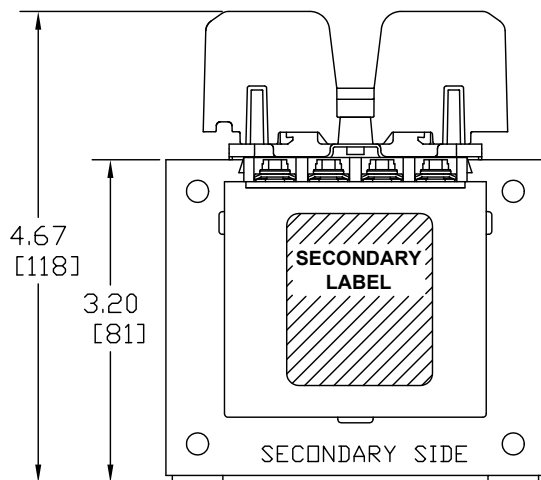
Transformer Specifications	
PRIMARY VOLTAGE(S)	230/460/575
SECONDARY VOLTAGE(S)	95/115
RATED V.A.	150
RATED FREQUENCY	50/60
INSULATION CLASS	130
AGENCY APPROVALS	UL, CUL
ESTIMATED WEIGHT	6.9 LBS



CONNECTION DIAGRAM

NOTES:

1. ALL MEASUREMENTS IN INCHES (MM)
2. TERMINAL SCREWS ARE COMBO #8-32 PHIL-SLOT-1/4" HEX WITH SEMS WASHER.
3. 2 POLE, CLASS "CC" PRIMARY FUSE BLOCK, ACCOMMODATES TWO 13/32" X 1-1/2" CLASS "CC" FUSES.



PACKAGED ACCESSORIES	
1	
-	-

MICRON INDUSTRIES CORPORATION
 CONTROL TRANSFORMER
 1211 W 22nd STREET, Suite 200, DAK BROOK, ILL.
 Tel: (630)664-4660, (630)516-1222 Fax: (630)516-1820
 www.MicronPower.com

DATE 6/13/07 DRAWN J.G.V. CHECKED APPROVED

RELEASE DATE CUSTOMER PART NO.

MICRON PART NO. B150BTW37RXFA3
B150BTW37RXFB3

SIZE SCALE C NONE B150BTW37RXF

A	13 CONSTRUCTION	AN00XXXX	XX	XXXX
ECL	REVISIONS	BY	DATE	