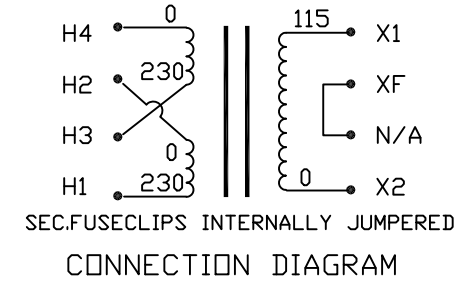
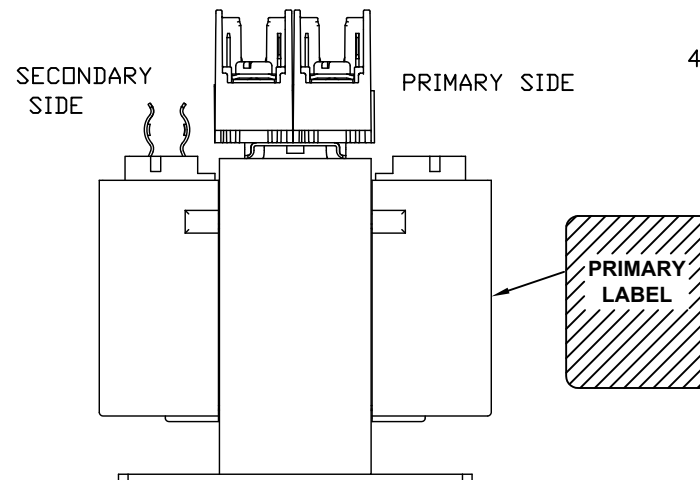
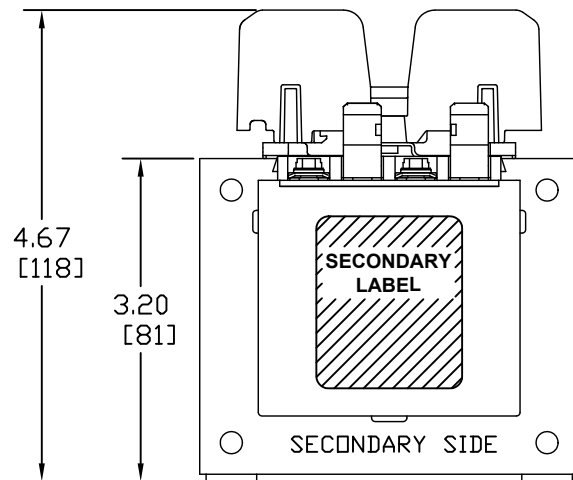


Transformer Specifications	
PRIMARY VOLTAGE(S)	230x460 (TRIPLE RATED)
SECONDARY VOLTAGE(S)	115
RATED V.A.	150
RATED FREQUENCY	50/60
INSULATION CLASS	130
AGENCY APPROVALS	UL, CUL
ESTIMATED WEIGHT	5.3 LBS



NOTES:

1. ALL MEASUREMENTS IN INCHES (MM)
2. TERMINAL SCREWS ARE COMBO #8-32 PHIL-SLOT-1/4" HEX WITH SEMS WASHER.
3. 2 POLE, CLASS "CC" PRIMARY FUSE BLOCK, ACCOMMODATES TWO 13/32" X 1-1/2" CLASS "CC" FUSES.
4. SECONDARY FUSE CLIP ACCOMMODATES ONE 13/32" X 1-1/2" MIDGET FUSE.



PACKAGED ACCESSORIES	
1	PAIR OF JUMPERS
-	-

**MICRON CONTROL TRANSFORMER** **MICRON INDUSTRIES CORPORATION**  
 1211 W. 22nd STREET, Suite 200, OAK BROOK, ILL.  
 Tel. (800)664-4660, (630)516-1222 Fax (630)516-1820  
 www.MicronPower.com

DATE	10/29/07	DRAWN	J.G.V	CHECKED		APPROVED	
RELEASE DATE		CUSTOMER PART NO.					
MICRON PART NO.	B150BTZ13RBF A3			B150BTZ13RBF B3			
SIZE	C	SCALE	NONE	B150BTZ13RBF			

A	13 CONSTRUCTION	AN00XXXX	XX	XXXX			
ECL	REVISIONS		BY	DATE			