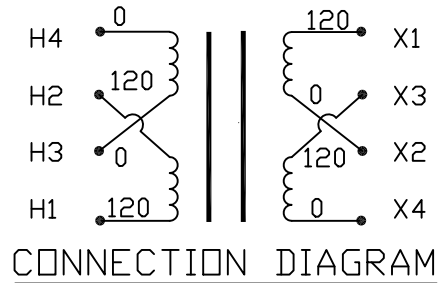
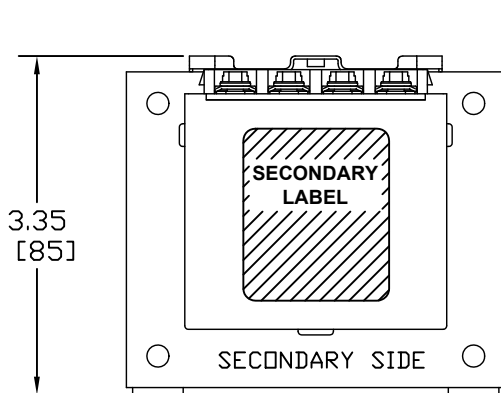


Transformer Specifications	
PRIMARY VOLTAGE(S)	120x240
SECONDARY VOLTAGE(S)	120x240
RATED V.A.	150
RATED FREQUENCY	50/60
INSULATION CLASS	130
AGENCY APPROVALS	UL, CUL
ESTIMATED WEIGHT	5.4 LBS

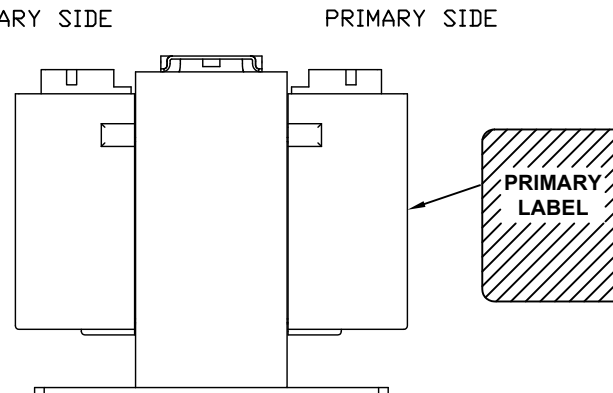


NOTES:

1. ALL MEASUREMENTS IN INCHES (MM)
2. TERMINAL SCREWS ARE COMBO #8-32 PHIL-SLOT-1/4" HEX WITH SEMS WASHER.



SECONDARY SIDE



PRIMARY SIDE

PACKAGED ACCESSORIES	
1	2 PAIR OF J2 JUMPERS

MICRON INDUSTRIES CORPORATION
 777 CHURCH ROAD, ELMHURST, IL 60126
 Tel: (800)664-4660, (630)516-1222 Fax: (630)516-1820
 CONTROL TRANSFORMER www.MicronTransformers.com

DATE	11/17/07	DRAWN	J.G.V	CHECKED		APPROVED	
RELEASE DATE		CUSTOMER PART NO.					
MICRON PART NO.	B150LP1519JJFA3		B150LP1519JJFB3				
SIZE	C	SCALE	NONE	B150LP1519JJF			

A	I3 CONSTRUCTION	AN00XXXX	XX	XXXX
ECL	REVISIONS		BY	DATE