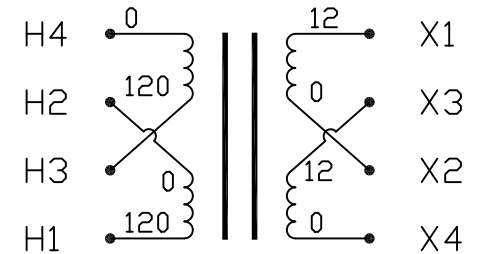


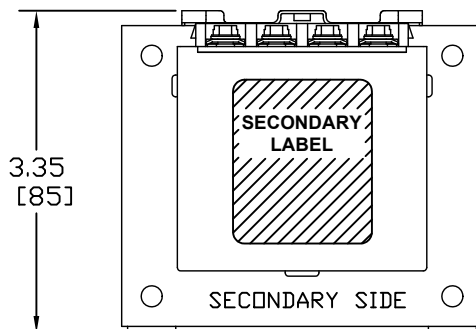
Transformer Specifications	
PRIMARY VOLTAGE(S)	120x240
SECONDARY VOLTAGE(S)	12x24
RATED V.A.	150
RATED FREQUENCY	50/60
INSULATION CLASS	130
AGENCY APPROVALS	UL, CUL
ESTIMATED WEIGHT	5.3 LBS



CONNECTION DIAGRAM

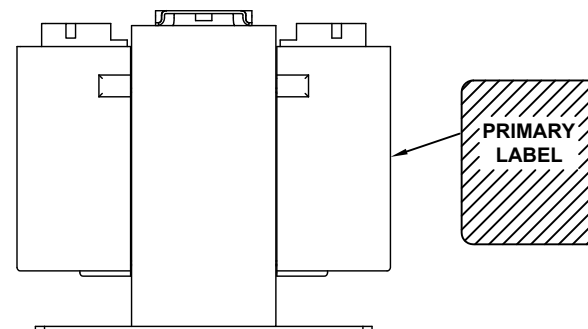
NOTES:

1. ALL MEASUREMENTS IN INCHES (MM)
2. TERMINAL SCREWS ARE COMBO #8-32 PHIL-SLOT-1/4" HEX WITH SEMS WASHER.



SECONDARY SIDE

PRIMARY SIDE



PACKAGED ACCESSORIES	
1	2 PAIR OF JUMPERS
-	-

**MICRON INDUSTRIES CORPORATION**  
 1211 W. 22nd STREET, Suite 200, DAK BLDG, ILL.  
 CENTRAL TRANSFORMER  
 Tel: (800)664-4660, (630)516-1222 Fax: (630)516-1820  
 www.MicronPower.com

DATE	1/08/18	DRAWN	J.A.W	CHECKED		APPROVED	
RELEASE DATE		CUSTOMER PART NO.					

MICRON PART NO. B150LP57JJFA3

A	I3 CONSTRUCTION	AN00XXXX	XX	XXXX	SIZE	SCALE	B150LP57JJF
ECL	REVISIONS		BY	DATE	C	NONE	