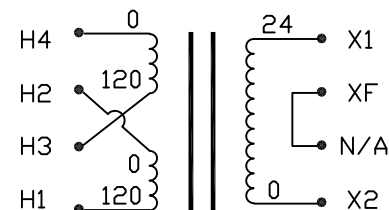
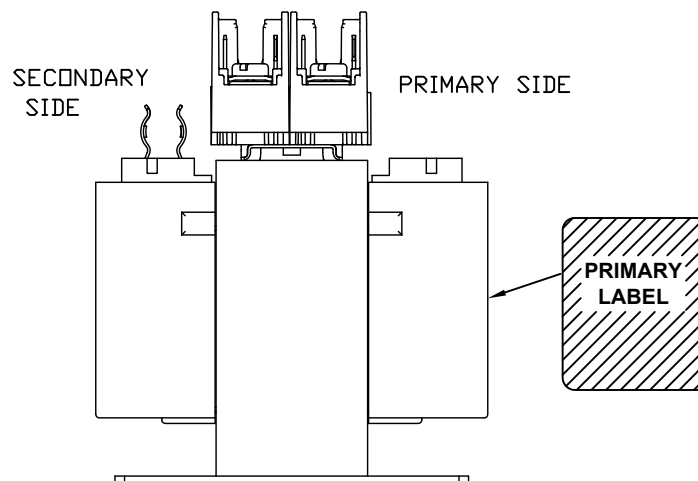
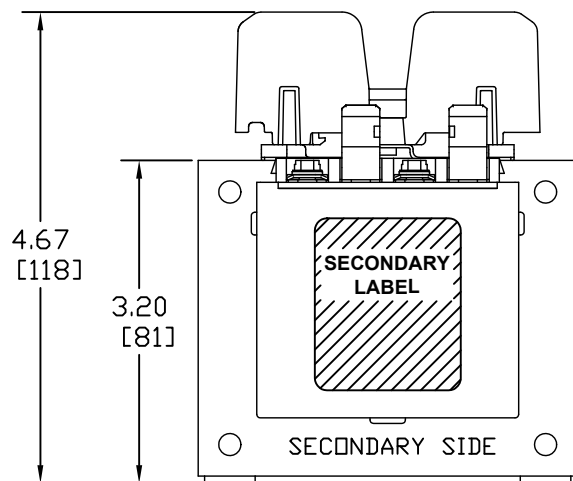


Transformer Specifications	
PRIMARY VOLTAGE(S)	120x240
SECONDARY VOLTAGE(S)	24
RATED V.A.	150
RATED FREQUENCY	50/60
INSULATION CLASS	130
AGENCY APPROVALS	UL, CUL
ESTIMATED WEIGHT	5.3 LBS



SEC.FUSECLIPS INTERNALLY JUMPERED
CONNECTION DIAGRAM



NOTES:

1. ALL MEASUREMENTS IN INCHES (MM)
2. TERMINAL SCREWS ARE COMBO #8-32 PHIL-SLOT-1/4" HEX WITH SEMS WASHER.
3. 2 POLE, CLASS "CC" PRIMARY FUSE BLOCK, ACCOMMODATES TWO 13/32" X 1-1/2" CLASS "CC" FUSES.
4. SECONDARY FUSE CLIP ACCOMMODATES ONE 13/32" X 1-1/2" MIDGET FUSE.

PACKAGED ACCESSORIES	
1	PAIR OF J2 JUMPERS
-	-

MICRON INDUSTRIES CORPORATION
1211 W. 22nd STREET, Suite 200, DAK BROOK, ILL.
Tel: (800)664-1660, (630)516-1222 Fax: (630)516-1820
www.MicronPower.com

DATE 2/13/08 DRAWN J.G.V. CHECKED APPROVED

RELEASE DATE CUSTOMER PART NO.

MICRON PART NO. B150LP7RBF A3 B150LP7RBF B3

SIZE SCALE C NONE B150LP7RBF

A	I3 CONSTRUCTION	AN00XXX	XX	XXXX
ECL	REVISIONS		BY	DATE