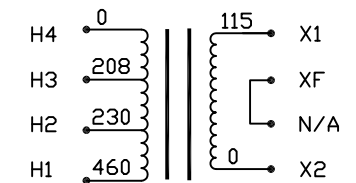


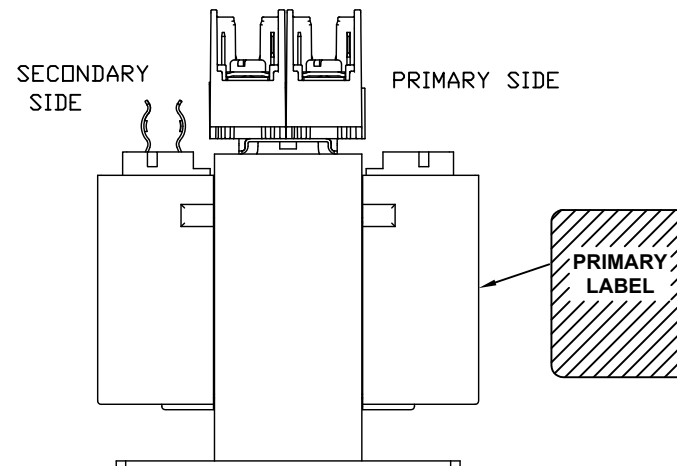
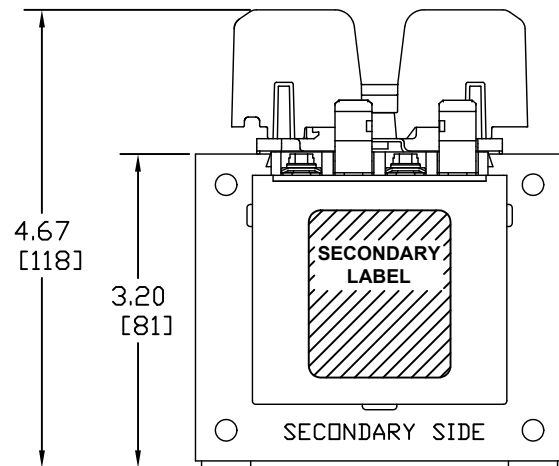
Transformer Specifications	
PRIMARY VOLTAGE(S)	208/230/460
SECONDARY VOLTAGE(S)	115
RATED V.A.	150
RATED FREQUENCY	50/60
INSULATION CLASS	130
AGENCY APPROVALS	UL, CUL
ESTIMATED WEIGHT	5.6 LBS



INTERNALLY JUMPERED TO FUSE TERMINAL  
CONNECTION DIAGRAM

NOTES:

1. ALL MEASUREMENTS IN INCHES (MM)
2. TERMINAL SCREWS ARE COMBO #8-32 PHIL-SLOT-1/4" HEX WITH SEMS WASHER.
3. 2 POLE, CLASS "CC" PRIMARY FUSE BLOCK, ACCOMMODATES TWO 13/32" X 1-1/2" CLASS "CC" FUSES.
4. SECONDARY FUSE CLIP ACCOMMODATES ONE 13/32" X 1-1/2" MIDGET FUSE.



PACKAGED ACCESSORIES			
-			
-	-		
<b>MICRON INDUSTRIES CORPORATION</b> 777 CHURCH ROAD, ELMHURST, IL 60126 Tel: (630)664-4640, (630)516-1222 Fax: (630)516-1820 www.MicronTransformers.com			
DATE	9/18/07	DRAWN	J.G.V.
RELEASE DATE		CHECKED	
		APPROVED	
MICRON PART NO.	B150MBT13RKFA3		
	B150MBT13RKF B3		
SIZE	C	SCALE	NONE
B150MBT13RKFB			

A	I3 CONSTRUCTION	AN00XXXX	XX	XXXX
ECL	REVISIONS		BY	DATE