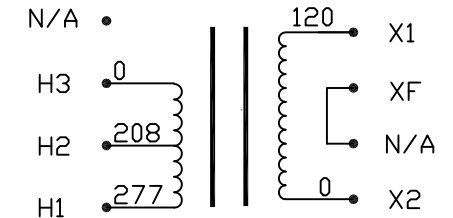
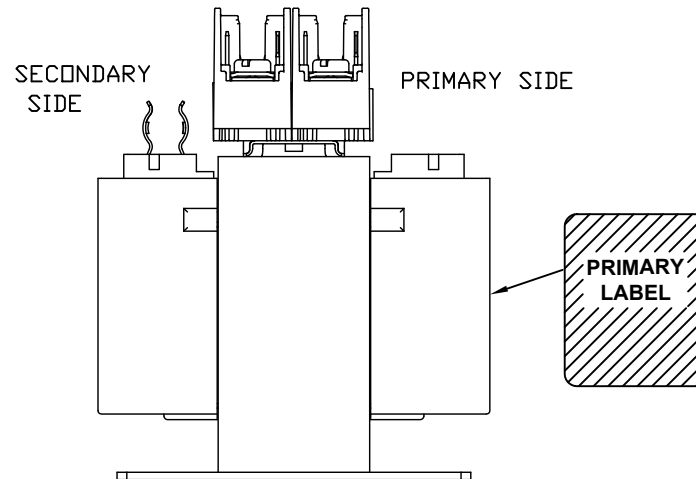
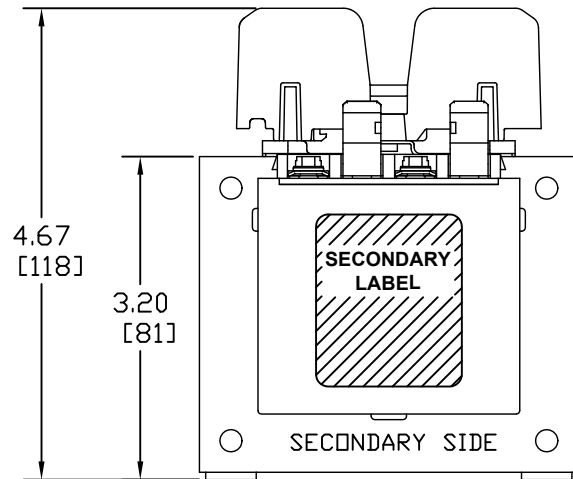


Transformer Specifications	
PRIMARY VOLTAGE(S)	208/277
SECONDARY VOLTAGE(S)	120
RATED V.A.	150
RATED FREQUENCY	50/60
INSULATION CLASS	130
AGENCY APPROVALS	UL, CUL
ESTIMATED WEIGHT	5.5 LBS



INTERNALLY JUMPED TO FUSE TERMINAL

CONNECTION DIAGRAM



NOTES:

1. ALL MEASUREMENTS IN INCHES (MM)
2. TERMINAL SCREWS ARE COMBO #8-32 PHIL-SLOT-1/4" HEX WITH SEMS WASHER.
3. 2 POLE, CLASS "CC" PRIMARY FUSE BLOCK, ACCOMMODATES TWO 13/32" X 1-1/2" CLASS "CC" FUSES.
4. SECONDARY FUSE CLIP ACCOMMODATES ONE 13/32" X 1-1/2" MIDGET FUSE.

PACKAGED ACCESSORIES

1	
-	-

**MICRON INDUSTRIES CORPORATION**  
 CONTROL TRANSFORMER  
 1211 W. 22nd STREET, SUITE 200, DAK BROOK, ILL.  
 Tel. (800)664-4660, (630)516-1222 Fax (630)516-1820  
 www.MicronPower.com

DATE 11/25/07 DRAWN J.G.V. CHECKED APPROVED

RELEASE DATE CUSTOMER PART NO.

MICRON PART NO. B150MQ15RKFA3 B150MQR15KFB3

SIZE SCALE NONE B150MQ15RKFB3

A	I3 CONSTRUCTION	AN00XXXX	XX	XXXX
ECL	REVISIONS		BY	DATE