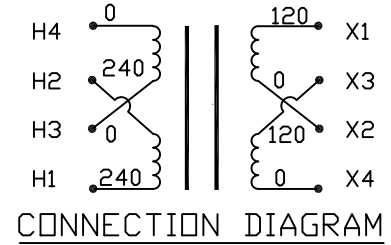
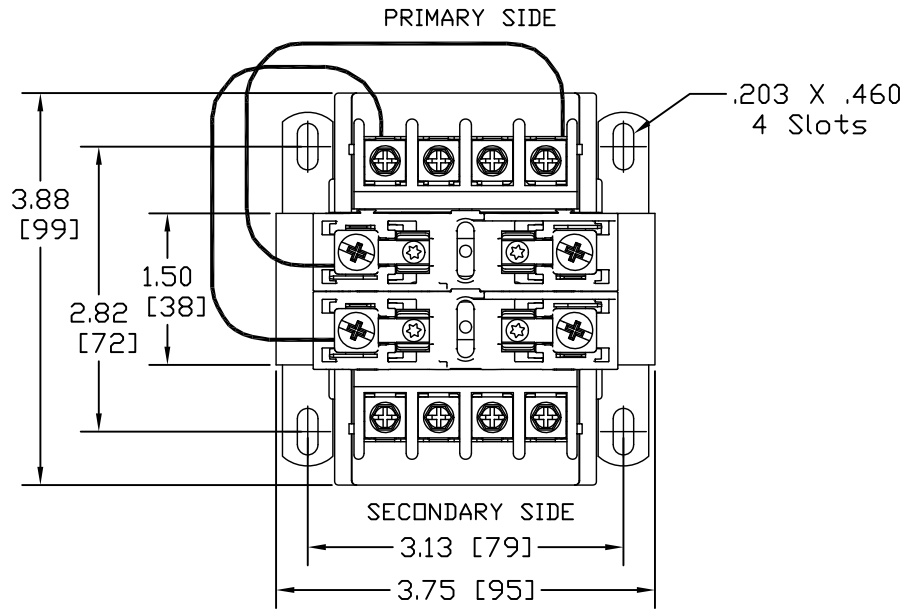
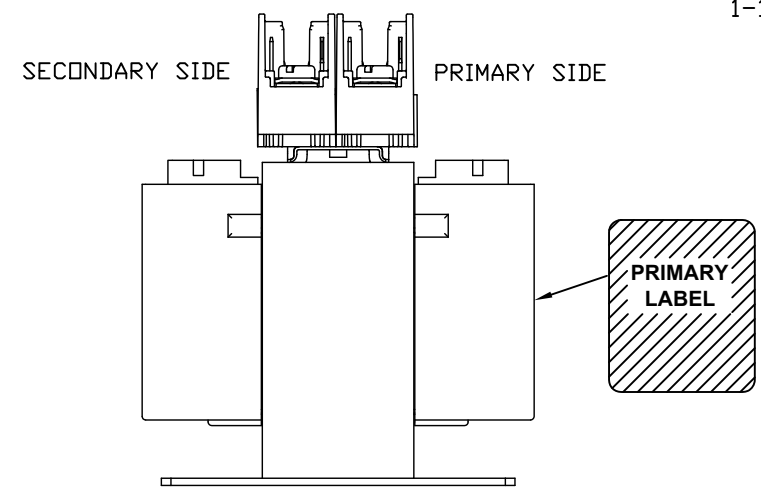
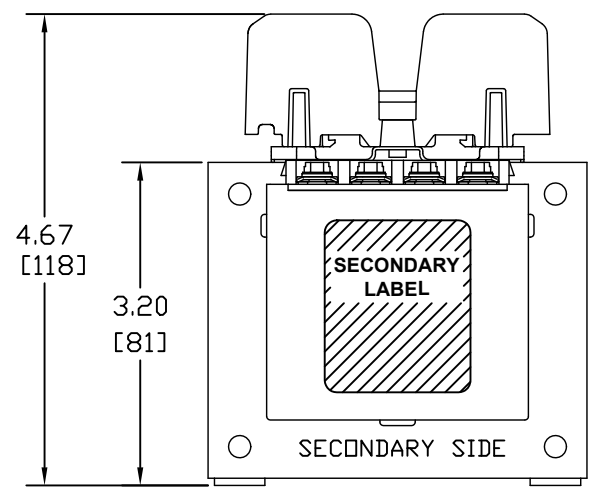


Transformer Specifications	
PRIMARY VOLTAGE(S)	240x480
SECONDARY VOLTAGE(S)	120x240
RATED V.A.	150
RATED FREQUENCY	50/60
INSULATION CLASS	130
AGENCY APPROVALS	UL, CUL
ESTIMATED WEIGHT	5.3 LBS



- NOTES:
1. ALL MEASUREMENTS IN INCHES (MM)
  2. TERMINAL SCREWS ARE COMBO #8-32 PHIL-SLOT-1/4" HEX WITH SEMS WASHER.
  3. 2 POLE, CLASS "CC" PRIMARY FUSE BLOCK, ACCOMMODATES TWO 13/32" X 1-1/2" CLASS "CC" FUSES.



PACKAGED ACCESSORIES			
1	2 PAIR OF J2 JUMPERS		
-	-		
<b>MICRON INDUSTRIES CORPORATION</b> 777 CHURCH ROAD ELMHURST, IL 60126 Tel. (800)664-4660 (630)316-1222 Fax (630)316-1820 www.MicronTransformers.com			
DATE	11/17/07	DRAWN	J.G.V.
RELEASE DATE		CHECKED	
		CUSTOMER PART NO.	
MICRON PART NO.	B150PU1519RRFA3		
	B150PU1519RRFB3		
SIZE	C	SCALE	NONE
			B150PU1519RRF

A	I3 CONSTRUCTION	AN00XXXX	XX	XXXX	
ECL	REVISIONS		BY	DATE	