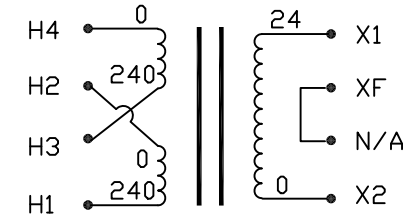
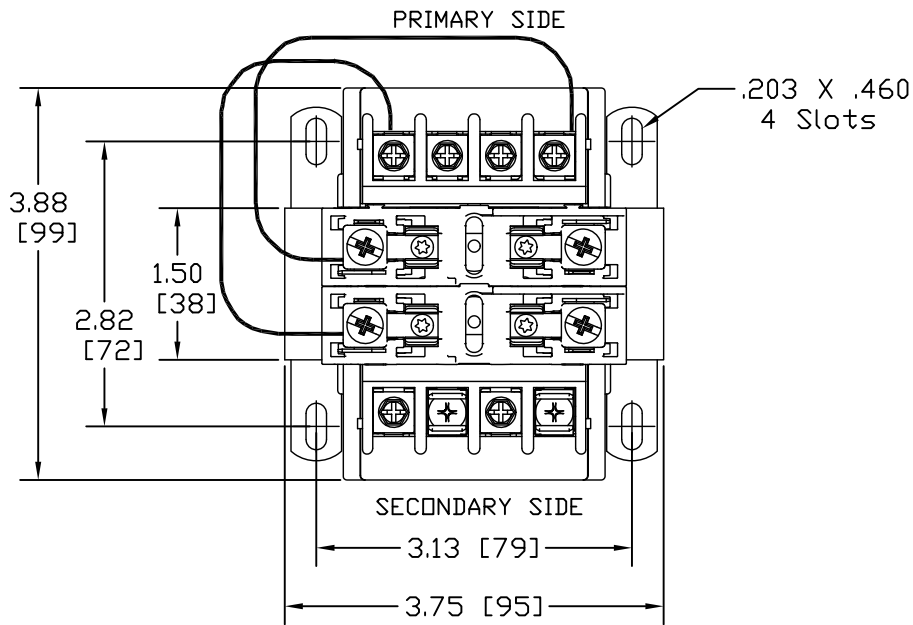


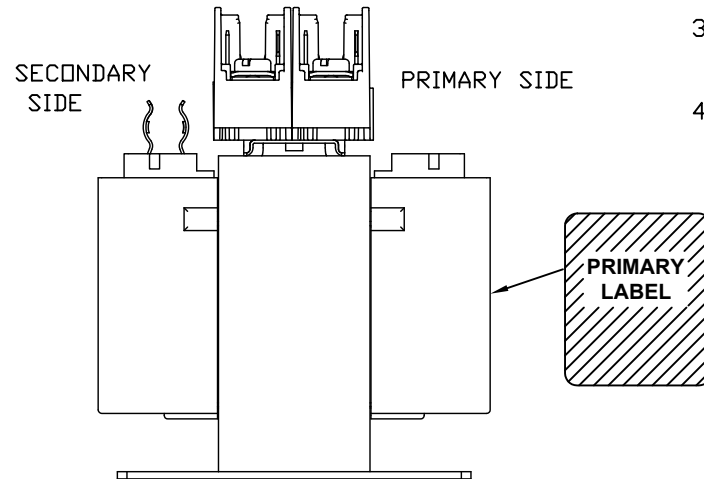
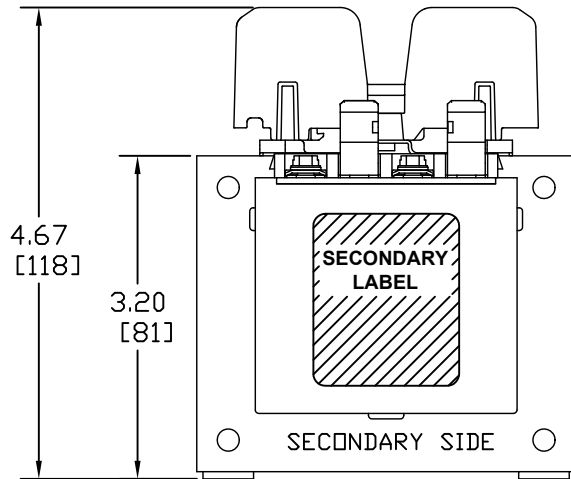
Transformer Specifications	
PRIMARY VOLTAGE(S)	240x480
SECONDARY VOLTAGE(S)	24
RATED V.A.	150
RATED FREQUENCY	50/60
INSULATION CLASS	130
AGENCY APPROVALS	UL, CUL
ESTIMATED WEIGHT	5.3 LBS



SEC.FUSECLIPS INTERNALLY JUMPERED  
CONNECTION DIAGRAM

NOTES:

1. ALL MEASUREMENTS IN INCHES (MM)
2. TERMINAL SCREWS ARE COMBO #8-32 PHIL-SLOT-1/4" HEX WITH SEMS WASHER.
3. 2 POLE, CLASS "CC" PRIMARY FUSE BLOCK, ACCOMMODATES TWO 13/32" X 1-1/2" CLASS "CC" FUSES.
4. SECONDARY FUSE CLIP ACCOMMODATES ONE 13/32" X 1-1/2" MIDGET FUSE.



PACKAGED ACCESSORIES	
1	PAIR OF J2 JUMPERS
-	-

<b>MICRON INDUSTRIES CORPORATION</b> 1211 W. 22nd STREET, Suite 200, DAK BROOK, ILL. Tel. (800)664-4660, (630)516-1222 Fax (630)516-1820 www.MicronPower.com			
DATE	2/13/08	DRAWN	J.G.V
RELEASE DATE		CHECKED	
		CUSTOMER PART NO.	
MICRON PART NO.	B150PU7RBF A3 B150PU7RBF B3		
SIZE	C	SCALE	NONE
B150PU7RBF			

A	13 CONSTRUCTION	AN00XXXX	XX	XXXX
ECL	REVISIONS		BY	DATE