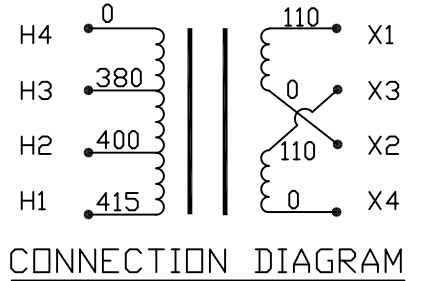
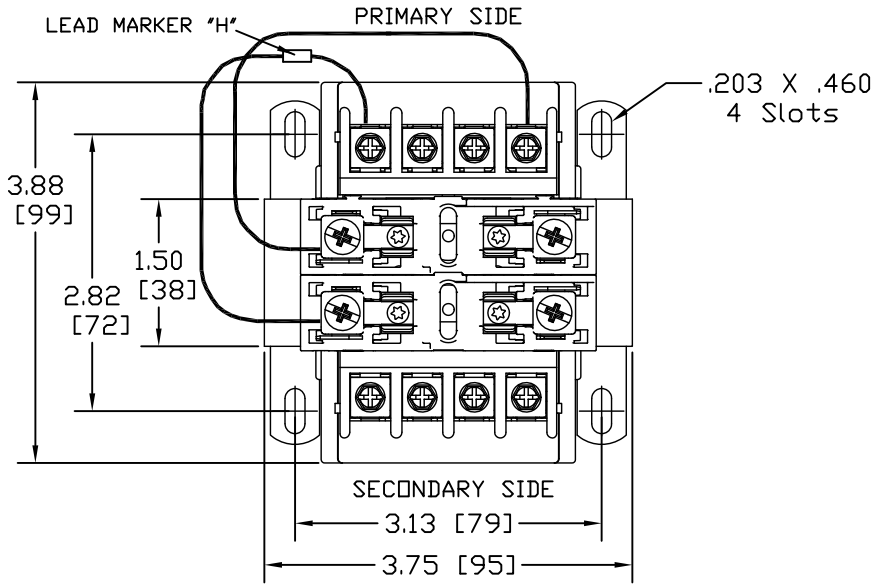
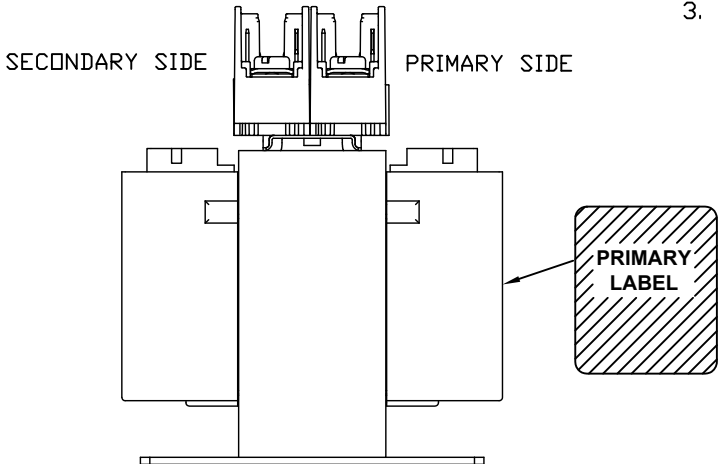
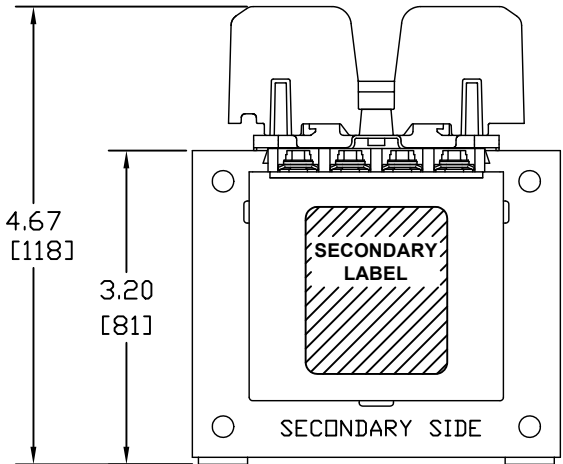


Transformer Specifications	
PRIMARY VOLTAGE(S)	380/400/415
SECONDARY VOLTAGE(S)	110x220
RATED V.A.	150
RATED FREQUENCY	50/60
INSULATION CLASS	130
AGENCY APPROVALS	UL, CUL
ESTIMATED WEIGHT	5.4 LBS



- NOTES:
1. ALL MEASUREMENTS IN INCHES (MM)
 2. TERMINAL SCREWS ARE COMBO #8-32 PHIL-SLOT-1/4" HEX WITH SEMS WASHER.
 3. 2 POLE, CLASS "CC" PRIMARY FUSE BLOCK, ACCOMMODATES TWO 13/32" X 1-1/2" CLASS "CC" FUSES.



PACKAGED ACCESSORIES			
1	ONE PAIR J2 JUMPERS		
-	-		
MICRON INDUSTRIES CORPORATION <small>1211 W. 22nd STREET, Suite 200, OAK BROOK, ILL. 60451</small> <small>Tel: (800)664-4664, (630)316-1822 Fax: (630)316-1820</small> <small>www.MicronPower.com</small>			
DATE	DRAWN	CHECKED	APPROVED
12/26/07	J.G.V.		
RELEASE DATE	CUSTOMER PART NO.		
MICRON PART NO.	B150RFD34RJFA3		
	B150RFD34RJFB3		
SIZE	SCALE		
C	NONE	B150RFD34RJF	

A	I3 CONSTRUCTION	AN00XXXX	XX	XXXX	DATE
ECL	REVISIONS		BY		