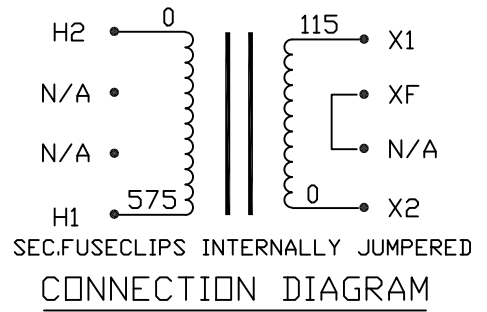
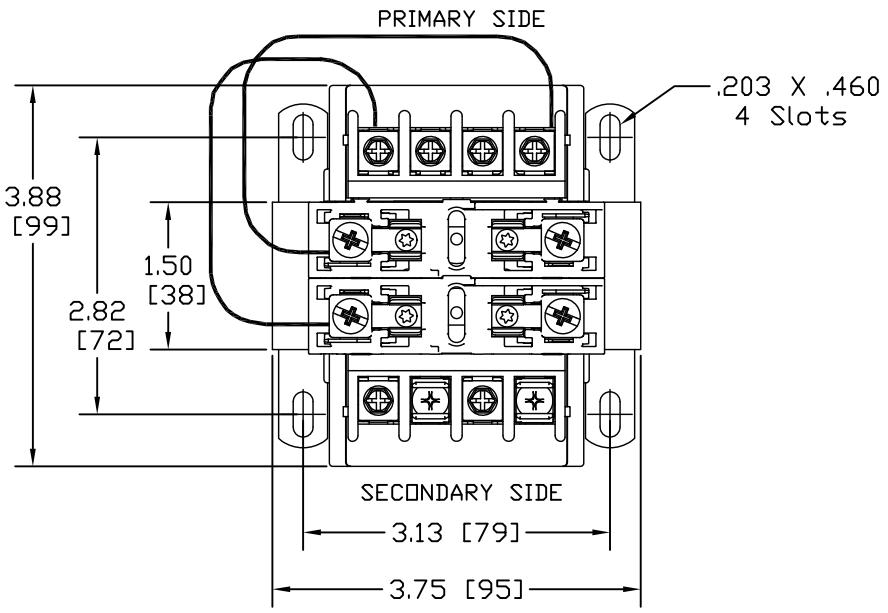
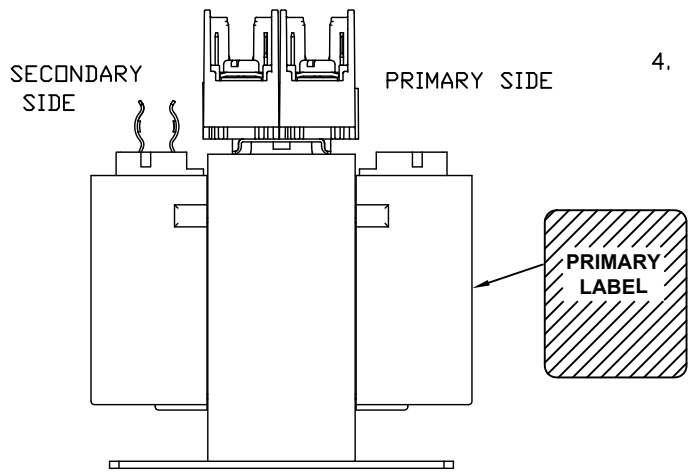
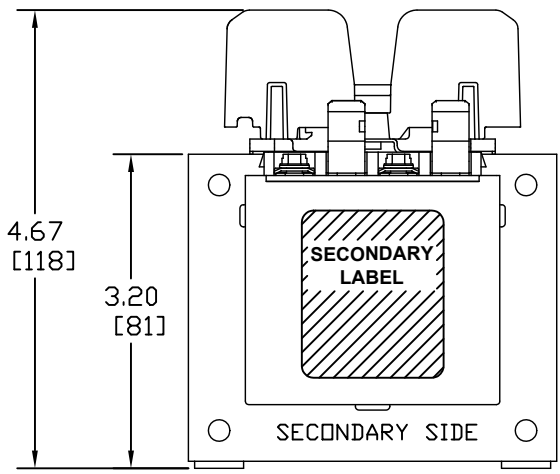


Transformer Specifications	
PRIMARY VOLTAGE(S)	575 (TRIPLE RATED)
SECONDARY VOLTAGE(S)	115
RATED V.A.	150
RATED FREQUENCY	50/60
INSULATION CLASS	130
AGENCY APPROVALS	UL, CUL
ESTIMATED WEIGHT	5.4 LBS



- NOTES:
1. ALL MEASUREMENTS IN INCHES (MM)
 2. TERMINAL SCREWS ARE COMBO #8-32 PHIL-SLOT-1/4" HEX WITH SEMS WASHER.
 3. 2 POLE, CLASS "CC" PRIMARY FUSE BLOCK, ACCOMMODATES TWO 13/32" X 1-1/2" CLASS "CC" FUSES.
 4. SECONDARY FUSE CLIP ACCOMMODATES ONE 13/32" X 1-1/2" MIDGET FUSE.



PACKAGED ACCESSORIES			
1			
-	-		
MICRON INDUSTRIES CORPORATION			
<small>777 CHURCH ROAD, ELMHURST, IL 60126 Tel: (630)664-4640 (630)316-1222 Fax: (630)316-1820 www.MicronTransformers.com</small>			
DATE	DRAWN	CHECKED	APPROVED
1/11/08	J.G.V.		
RELEASE DATE	CUSTOMER PART NO.		
MICRON PART NO.	B150WZ13RKFA3 B150WZ13RKF B3		
SIZE	SCALE	B150WZ13RKF	
C	NONE		

A	I3 CONSTRUCTION	AN00XXXX	XX	XXXX
ECL	REVISIONS	BY	DATE	