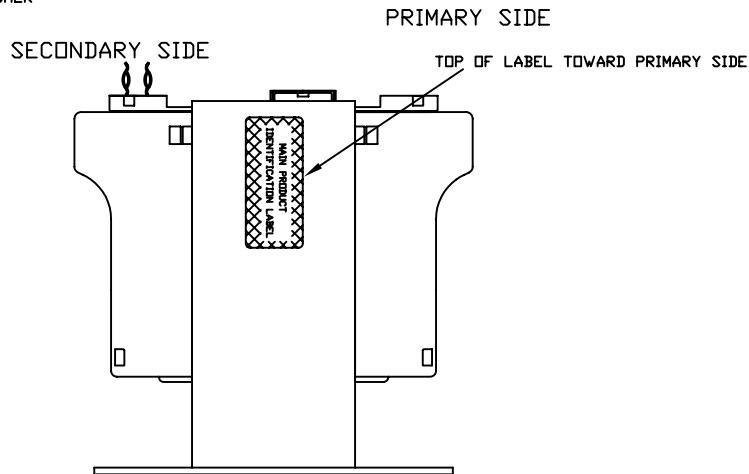
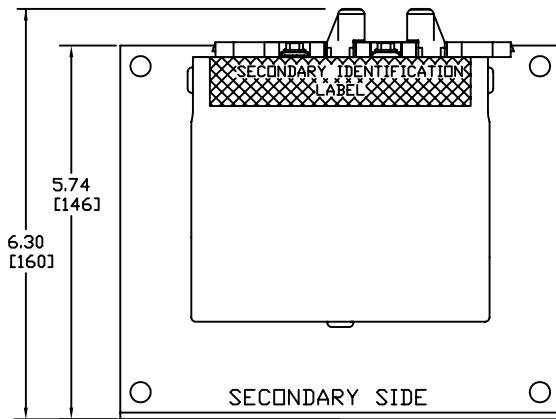
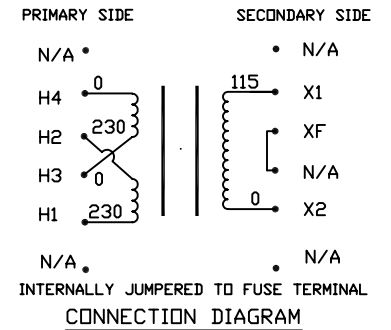


10-32 PHIL-SLOT-5/16" HEX WITH SEMS WASHER



Transformer Specifications	
PRIMARY VOLTAGE(S)	230x460 (TRIPLE)
SECONDARY VOLTAGE(S)	115
RATED V.A.	1000
RATED FREQUENCY	50/60
INSULATION CLASS	130
AGENCY APPROVALS	UL,CUL
ESTIMATED WEIGHT	30.5 LBS



NOTE:

1. FUSE CLIPS TO ACCOMMODATE 13/32-1 1/2"
2. ALL MEASUREMENTS IN INCHES (MM)

MAIN PRODUCT IDENTIFICATION LABEL

MICRON CONTROL TRANSFORMERS
800 664-4660
www.MicronTransformers.com

ImperviTRAN
U.S. PAT. NO. 3516040

1.0kVA 50/60Hz
TEMP CL. 130°C

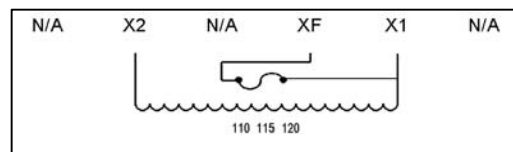
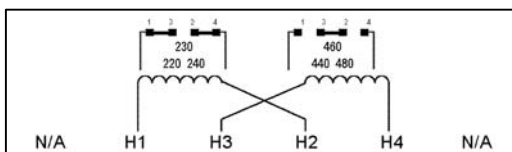
UL US CAT. NO. B1K0BTZ13JKF
Listed 702X SERIES 2 44075

PACKAGED ACCESSORIES

1	1 PAIR OF JUMPERS
-	-
-	-
-	-
-	-
-	-

PRIMARY IDENTIFICATION LABEL

SECONDARY IDENTIFICATION LABEL



MICRON INDUSTRIES CORPORATION
777 Church Road - Elmhurst, IL 60126
Tel: 630-664-4660, 630-616-1222 Fax: 630-616-2628
www.MicronTransformers.com

DATE	11/7/07	BY	J.G.V.	CHECKED	APPROVED
RELEASE DATE		CUSTOMER PART NO.			
MICRON PART NO.					
SIZE	SCALE	B1K0BTZ13JKF			
C	NONE				