

IND. BOX LABEL

**1000VA**  
**PRIMARY:**  
 208/230/460  
**SECONDARY:**  
 115  
**FREQUENCY:**  
 50/60 HZ

QTY. 1

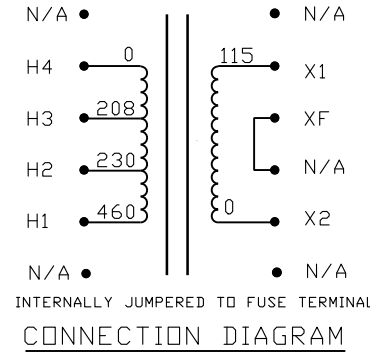
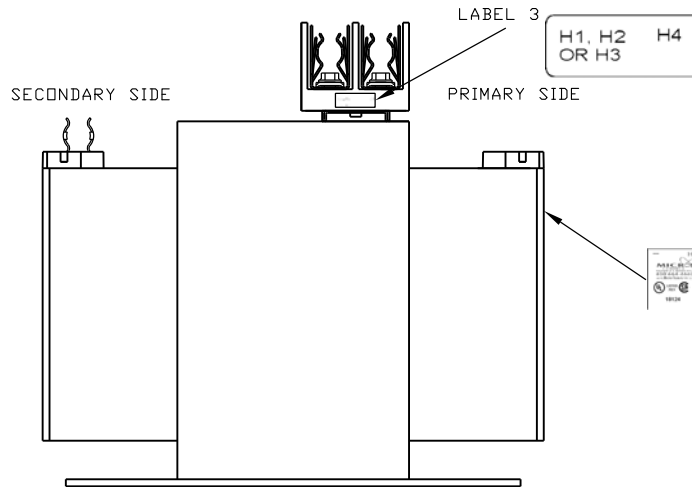
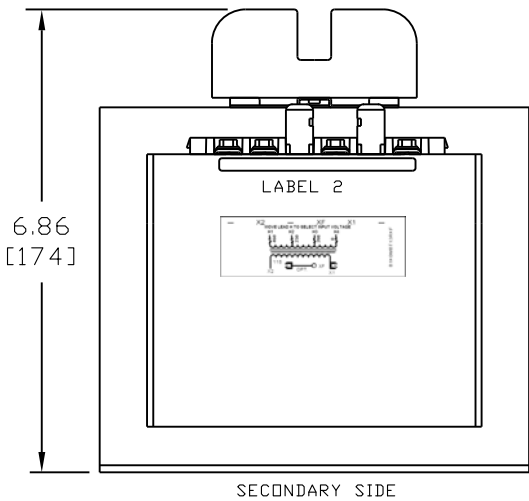
MADE IN USA

---

Cat.  
**B1K0MBT13RKf**

18124

Transformer Specifications	
PRIMARY VOLTAGE(S)	208/230/460
SECONDARY VOLTAGE(S)	115
RATED V.A.	1000
RATED FREQUENCY	50/60
INSULATION CLASS	130
AGENCY APPROVALS	UL, CSA
ESTIMATED WEIGHT	37.0 LBS



NOTE:  
 1. ALL MEASUREMENTS IN INCHES (MM)

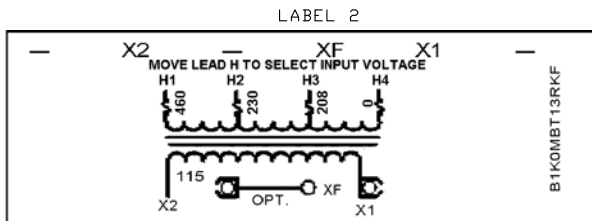
LABEL 1

**ImperviTRAN**  
 U.S. PAT. NO. 3516040

1.0 KVA 50/60 HZ  
 TEMP CL 130 °C

UL LISTED 702X SP  
 CAT. NO. **B1K0MBT13RKf**

18124



NOTE:  
 1. ALL MEASUREMENTS IN INCHES (MM)

PACKAGED ACCESSORIES	
1	
-	
-	

**MICRON INDUSTRIES CORPORATION**  
 777 CHURCH ROAD - ELMHURST, IL 60126  
 Tel. (800)664-4660, (630)516-1822 Fax (630)516-1820  
 www.MicronTransformers.com

DATE	RELEASE DATE	CUSTOMER PART NO.	SCALE
7/18/08	J.G.V.	B1K0MBT13RKFA7777A0 B1K0MBT13RKFA7777B0	NONE

REVISIONS	BY	DATE
DRAWING UPDATED	J.V.	3/28/12
REDRAW IN NEW FORMAT	J.V.	7/18/08

B1K0MBT13RKf