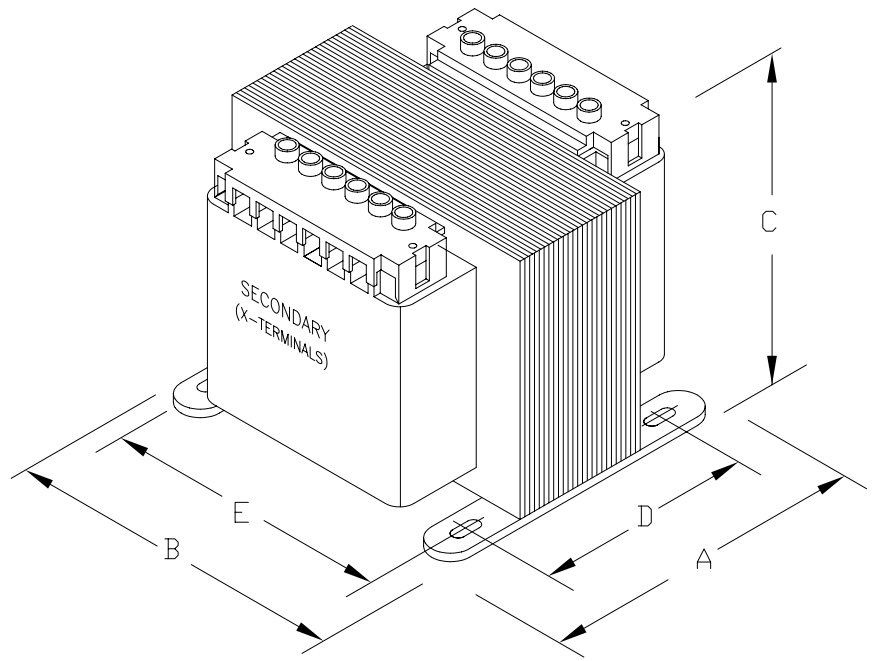


CONNECTION DIAGRAM



PROVIDED WITH SAFE TOUCH TERMINAL COVERS
NO INTEGRAL FUSING CAPABILITY.

DIMENSIONS							APPROX. WT. LBS (KG)
	A	B	C	D	E	MTG. SLOTS	
INCHES (MM)	7.75 (199)	6.75 (171)	6.00 (152)	5.00 (127)	6.13 (156)	0.313X0.906 (8.0X23.0)	



MICRON INDUSTRIES CORPORATION
777 CHURCH ROAD - ELMHURST, IL 60126
Tel. (800) 664-4660, (630) 516-1222 Fax (630) 516-1820
www.MicronTransformers.com

CAT. NO. B1K5-2269-GAH		CONST. ENCAPSULATED				UL LISTED
		MODEL GLOBALTRAN				
RATING						
OUTPUT AMPS	13.04/6.52	PRIMARY V	208/230/400/460/575		TEMP. CLASS	SP CERTIFIED CE IEC 61558
VA	1500	SECONDARY V	115X230		180°C HZ 50/60 REVISION G	