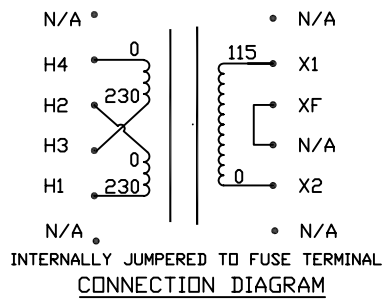
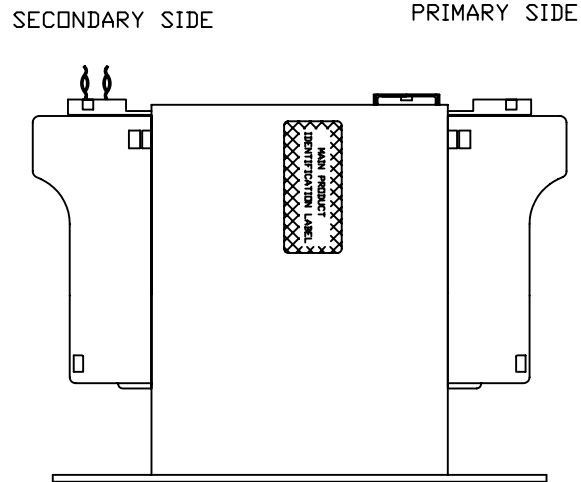
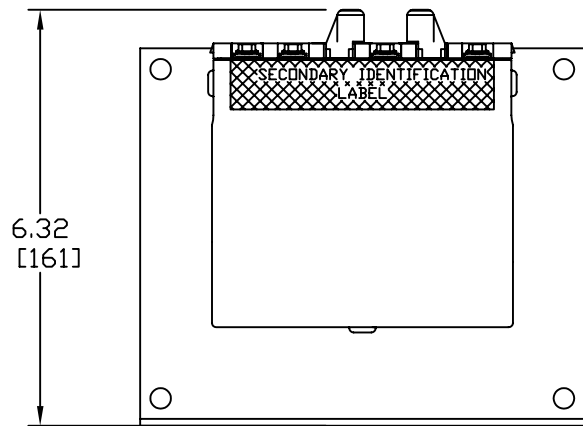
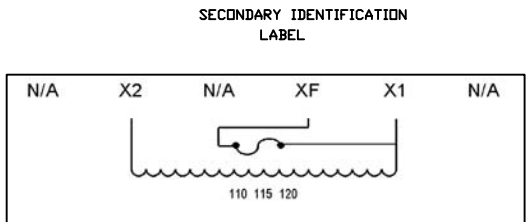
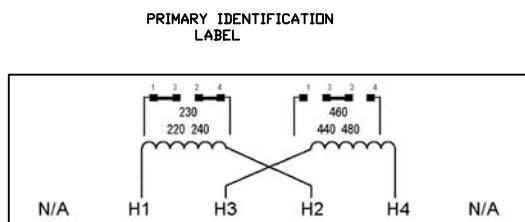


Transformer Specifications	
PRIMARY VOLTAGE(S)	230x460 (TRIPLE)
SECONDARY VOLTAGE(S)	115
RATED V.A.	1500
RATED FREQUENCY	50/60
INSULATION CLASS	130
AGENCY APPROVALS	UL,CUL
ESTIMATED WEIGHT	50.1 LBS



- NOTE:
1. FUSE CLIPS TO ACCOMADATE 13/32-1 1/2"
  2. ALL MEASURMENTS IN INCHES (MM)



**MICRON** **ImperviTRAN**  
 CONTROL TRANSFORMERS  
 U.S. PAT. NO. 3516040  
 800 664-4650  
 www.MicronTransformers.com  
 1.5KVA 50/60Hz  
 TEMP CL. 130°C  
 CAT. NO. B1K5BTZ13JKF  
 SERIES 2  
 44075  
 Listed 702X

PACKAGED ACCESSORIES			
1	1 PAIR OF JUMPERS		
-			
-			
-			
-			
-			
-			
-			
<p><b>MICRON</b> <b>INDUSTRIES CORPORATION</b>          CENTRAL TRANSFORMER          777 CHURCH ROAD - ELMHURST, IL 60126          THE QUALITY CONNECTION. 24 HOURS SERVICE. For 24 HOURS-360          www.MicronTransformers.com</p>			
DATE	11/7/07	DRAWN	J.G.V.
RELEASE DATE		CHECKED	
MICRON PART NO.		CUSTOMER PART NO.	
SIZE	C	SCALE	NONE
			B1K5BTZ13JKF