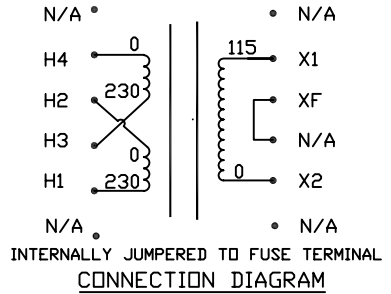
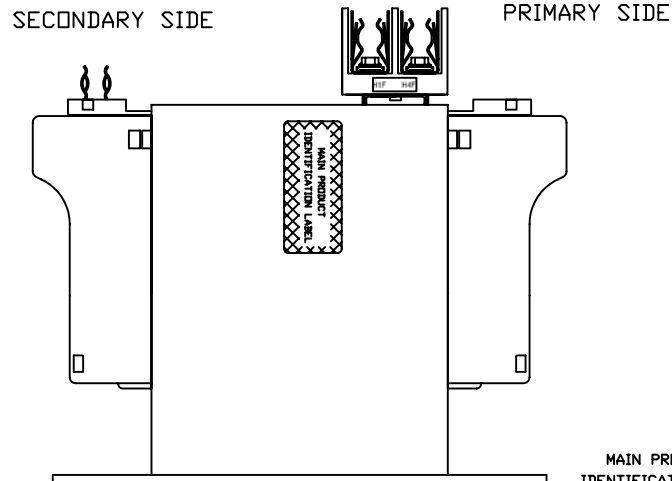
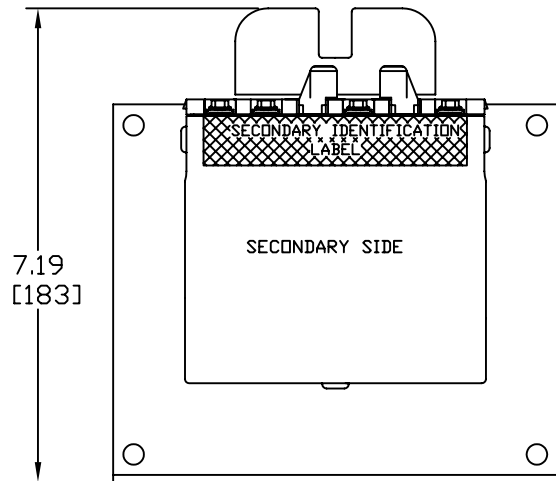
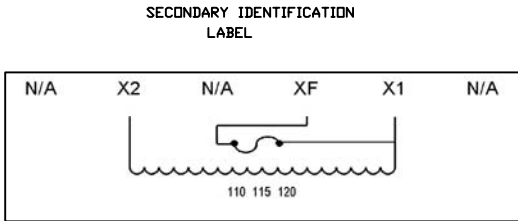
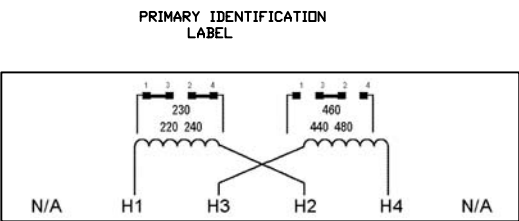


Transformer Specifications	
PRIMARY VOLTAGE(S)	230x460 (TRIPLE)
SECONDARY VOLTAGE(S)	115
RATED V.A.	1500
RATED FREQUENCY	50/60
INSULATION CLASS	130
AGENCY APPROVALS	UL,CUL
ESTIMATED WEIGHT	50.1 LBS



- NOTE:
- FUSE CLIPS TO ACCOMADATE 13/32-1 1/2"
 - ALL MEASUREMENTS IN INCHES (MM)



MICRON **ImperviTRAN**®
CONTROL TRANSFORMERS
800 664-4660
www.MicronTransformers.com

U.S. PAT. NO. 3516040

1.5KVA 50/60Hz
TEMP CL. 130°C

UL US CAT. NO. B1K5BTZ13RBF
Listed 702X SERIES 2 44075

PACKAGED ACCESSORIES			
1	1 PAIR OF JUMPERS		
-	-		
-	-		
<p>MICRON INDUSTRIES CORPORATION CENTRAL TRANSFORMER 777 CHURCH ROAD - ELMHURST, IL 60126 Tel: 630-664-4660, 800-664-4660 Fax: 630-664-4660 www.MicronTransformers.com</p>			
DATE	11/7/07	DRAWN	J.G.V.
RELEASE DATE		CHECKED	
		CUSTOMER PART NO.	
MICRON PART NO.			
SIZE	C	SCALE	NONE
B1K5BTZ13RBF			