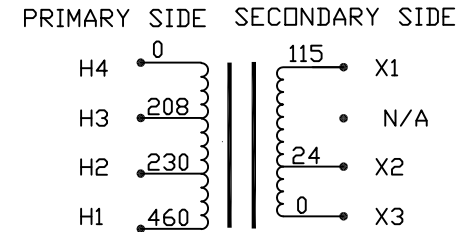
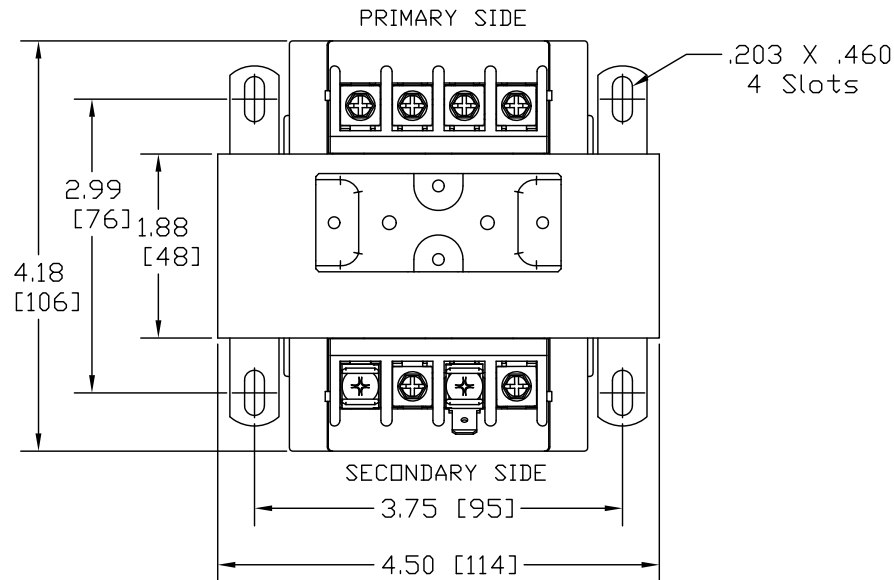


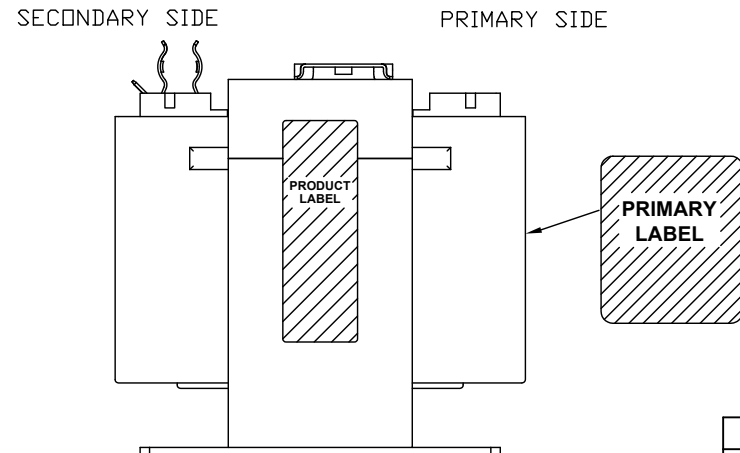
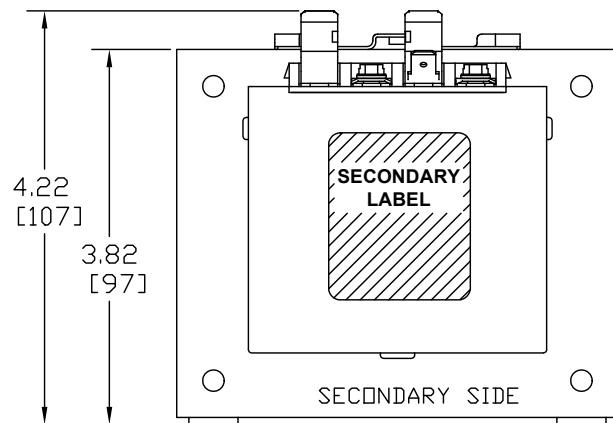
Transformer Specifications	
PRIMARY VOLTAGE(S)	208/230/460 (TRIPLE)
SECONDARY VOLTAGE(S)	24/115
RATED V.A.	200
RATED FREQUENCY	50/60
INSULATION CLASS	130
AGENCY APPROVALS	UL,CUL
ESTIMATED WEIGHT	9.5 LBS



CONNECTION DIAGRAM

NOTES:

1. ALL MEASUREMENTS IN INCHES (MM)
2. TERMINAL SCREWS ARE COMBO #8-32 PHIL-SLOT-1/4" HEX WITH SEMS WASHER.
3. SECONDARY FUSE CLIP ACCOMMODATES ONE 13/32" X 1-1/2" MIDGET FUSE.



PACKAGED ACCESSORIES	
1	
-	-

MICRON INDUSTRIES CORPORATION
 777 CHURCH ROAD, ELMHURST, IL 60126
 Tel: (800)664-1660, (630)516-1222 Fax: (630)516-1820
 www.MicronTransformers.com

DATE	3/24/08	DRAWN	J.G.V.	CHECKED		APPROVED	
RELEASE DATE		CUSTOMER PART NO.					

MICRON PART NO.
 B200-2004-1FA3
 B200-2004-1FB3

A	I3 CONSTRUCTION	AN00XXXX	XX	XXXX
ECL	REVISIONS		BY	DATE

SIZE SCALE
 C NONE
 B200-2004-1F