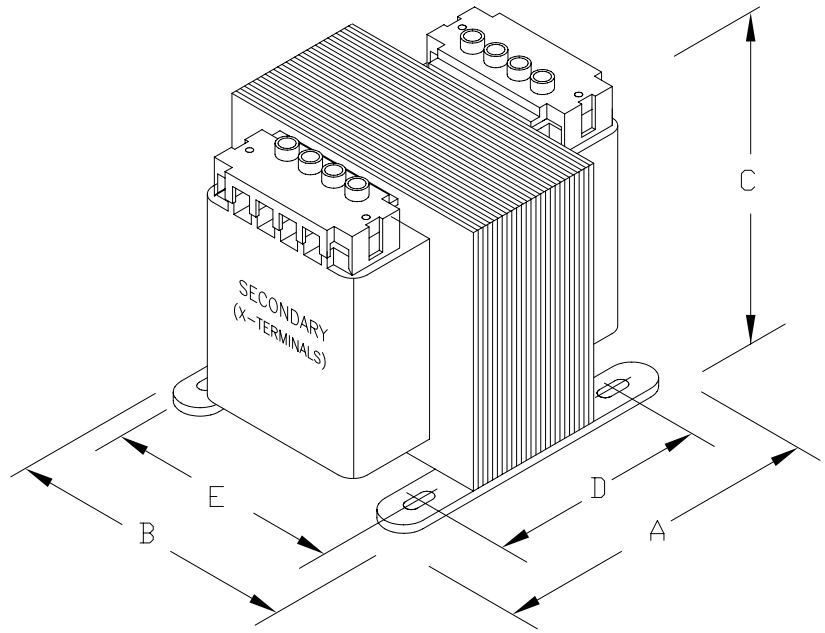


CONNECTION DIAGRAM



PROVIDED WITH SAFE TOUCH TERMINAL COVERS.  
NO INTEGRAL FUSING CAPABILITY.

DIMENSIONS							APPROX. WT. LBS (KG)
	A	B	C	D	E	MTG. SLOTS	
INCHES (MM)	3.75 (95)	4.50 (114)	4.00 (102)	3.00 (76)	3.75 (95)	0.203X0.460 (5.1X11.7)	



**MICRON INDUSTRIES CORPORATION**  
777 CHURCH ROAD - ELMHURST, IL 60126  
Tel. (800) 664-4660, (630) 516-1222 Fax (630) 516-1820  
www.MicronTransformers.com

CAT.NO.	<b>M200-2045-GAF</b>						CONST.	<b>ENCAPSULATED</b>	UL LISTED
							MODEL	<b>GLOBALTRAN</b>	
<b>RATING</b>									
OUTPUT AMPS	1.74	PRIMARY V	550/575/600			TEMP. CLASS	130°C	HZ 50/60	CE IEC 61558
VA	200	SECONDARY V	110/115/120			REVISION <b>G</b>			