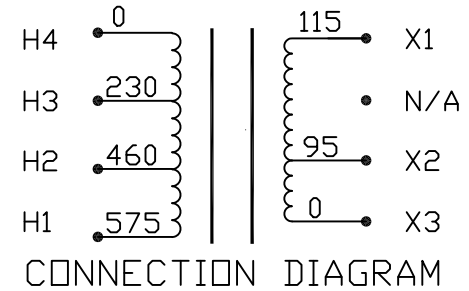
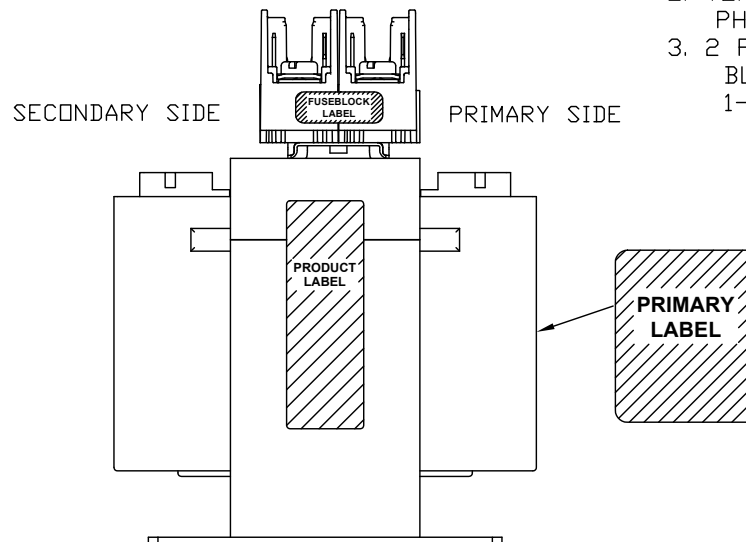
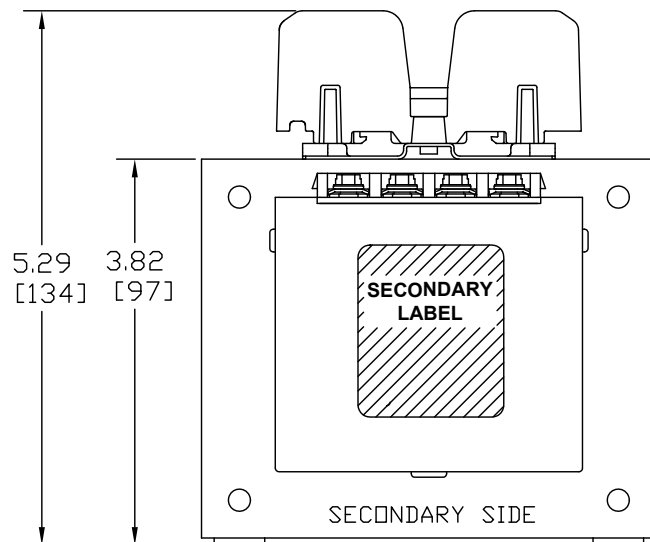


Transformer Specifications	
PRIMARY VOLTAGE(S)	230/460/575
SECONDARY VOLTAGE(S)	95/115
RATED V.A.	200
RATED FREQUENCY	50/60
INSULATION CLASS	130
AGENCY APPROVALS	UL, CUL
ESTIMATED WEIGHT	9.1 LBS



**NOTES:**

1. ALL MEASUREMENTS IN INCHES (MM)
2. TERMINAL SCREWS ARE COMBO #8-32 PHIL-SLOT-1/4" HEX WITH SEMS WASHER.
3. 2 POLE, CLASS "CC" PRIMARY FUSE BLOCK, ACCOMMODATES TWO 13/32" X 1-1/2" CLASS "CC" FUSES.



PACKAGED ACCESSORIES			
1			
-			

<b>MICRON INDUSTRIES CORPORATION</b>			
777 CHURCH ROAD, ELMHURST, IL 60126			
Tel: (800)664-4660, (630)516-1222 Fax: (630)516-1828			
www.MicronTransformers.com			
DATE	6/13/07	DRAWN	J.G.V.
RELEASE DATE		CHECKED	
		CUSTOMER	
		PART NO.	
MICRON PART NO.	B200BTW37RXFA3		
	B200BTW37RXFB3		
SIZE	C	SCALE	NONE
			B200BTW37RXF

A	I3 CONSTRUCTION	AN00XXXX	XX	XXXX
ECL	REVISIONS		BY	DATE