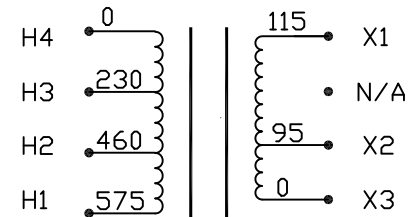


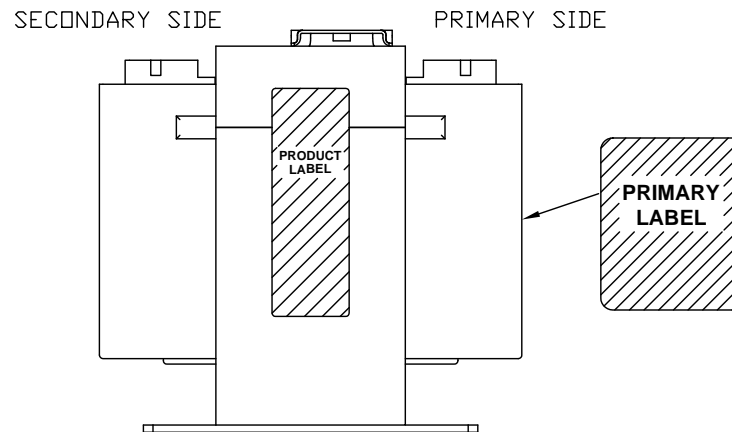
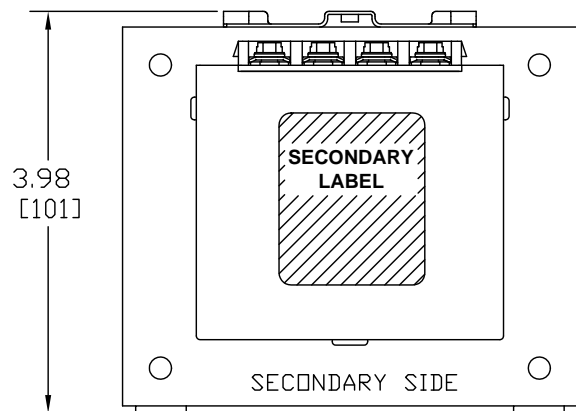
Transformer Specifications	
PRIMARY VOLTAGE(S)	230/460/575
SECONDARY VOLTAGE(S)	95/115
RATED V.A.	200
RATED FREQUENCY	50/60
INSULATION CLASS	130
AGENCY APPROVALS	UL, CUL
ESTIMATED WEIGHT	9.1 LBS



CONNECTION DIAGRAM

NOTES:

1. ALL MEASUREMENTS IN INCHES (MM)
2. TERMINAL SCREWS ARE COMBO #8-32 PHIL-SLOT-1/4" HEX WITH SEMS WASHER.



PACKAGED ACCESSORIES			
1			
-			
MICRON INDUSTRIES CORPORATION 1211 W. 22nd STREET, Suite 200, DAK BROOK, ILL. Tel. (800)664-4660, (630)516-1222 Fax (630)516-1820 www.MicronPower.com			
DATE	4/6/06	DRAWN	RN
RELEASE DATE		CHECKED	
		APPROVED	
		CUSTOMER PART NO.	ROCKWELL #1497A-A5-M7-0-N
MICRON PART NO.	B200BTW37XXFA1		
SIZE	C	SCALE	NONE
B200BTW37XXF			

B	I3 CONSTRUCTION	AN00XXXX	XX	XXXX
A	NEW		RN	4/6/06
ECL	REVISIONS		BY	DATE