

MICRON CONTROL TRANSFORMERS
800 664-4660
www.MicronTransformers.com

200 VA
PRIMARY:
120X240

QTY. 1

SECONDARY:
24

FREQUENCY:
50Hz / 60Hz

UL US

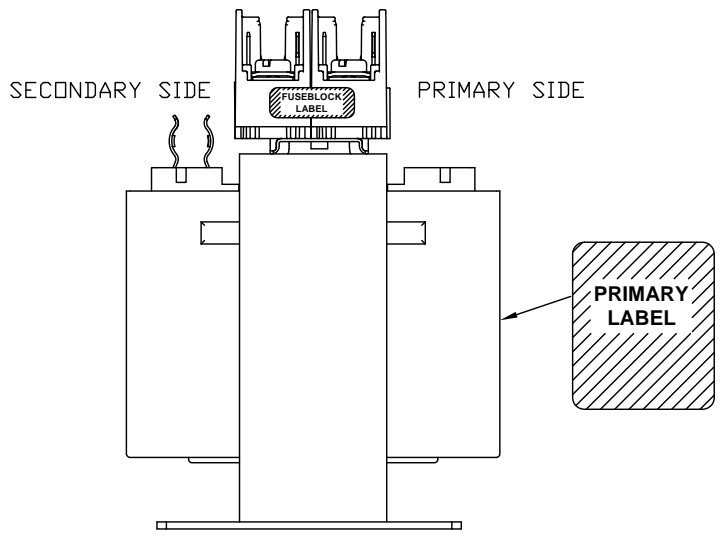
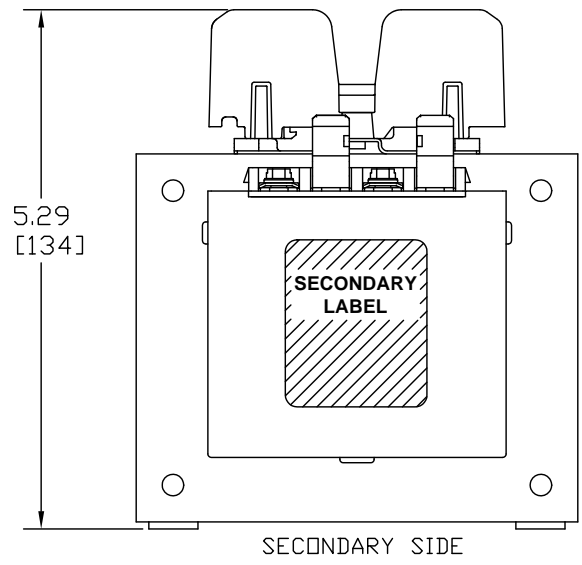
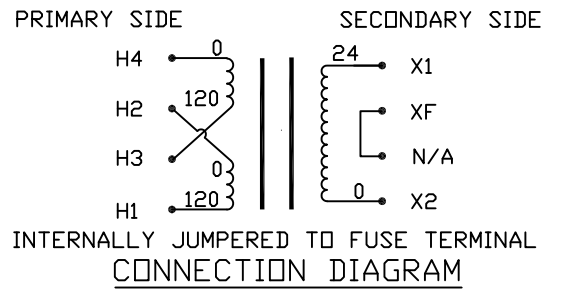
MADE IN USA

CAT.
B200LP7RBF

B200LP7RBF

01203

Transformer Specifications	
PRIMARY VOLTAGE(S)	120x240
SECONDARY VOLTAGE(S)	24
RATED V.A.	200
RATED FREQUENCY	50/60
INSULATION CLASS	130
AGENCY APPROVALS	UL, CUL
ESTIMATED WEIGHT	8.9 LBS



- NOTES:
1. ALL MEASUREMENTS IN INCHES (MM)
 2. TERMINAL SCREWS ARE COMBO #8-32 PHIL-SLOT-1/4" HEX WITH SEMS WASHER.
 3. 2 POLE, CLASS "CC" PRIMARY FUSE BLOCK, ACCOMMODATES TWO 13/32" X 1-1/2" CLASS "CC" FUSES.
 4. SECONDARY FUSE CLIP ACCOMMODATES ONE 13/32" X 1-1/2" MIDGET FUSE.

H4	H2	H3	H1	X2	-	XF	X1	H1F H4F
ImperviTRAN U.S. PAT. NO. 3516040 MICRON CONTROL TRANSFORMERS 800 664-4660 www.MicronTransformers.com 200 VA 50/60HZ TEMP CL 130°C UL US LISTED 702X								
PART NO. B200LP7RBF				PART NO. B200LP7RBF				
01203								

PACKAGED ACCESSORIES			
1	1 PAIR OF JUMPERS		
-	-		
MICRON INDUSTRIES CORPORATION 1211 V.22nd STREET, Suite 200, OAK BRICK, ILL. Tel: (800)664-4660, (630)516-1222 Fax: (630)516-1820 www.MicronPower.com			
DATE	12/12/19	DRAWN	JAW
RELEASE DATE		CHECKED	
		APPROVED	
MICRON PART NO.		B200LP7RBF A3	
PART NO.		B200LP7RBF B3	
A	I3 CONSTRUCTION	AN006479	JW 12/12/19
ECL	REVISIONS	BY	DATE
SIZE	C	SCALE	NONE
B200LP7RBF			