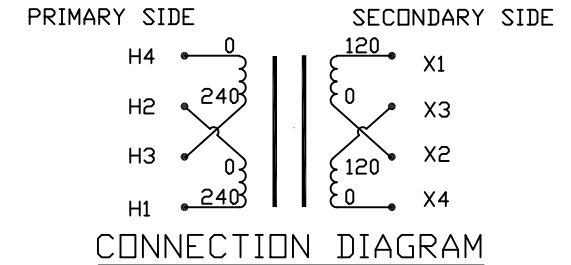
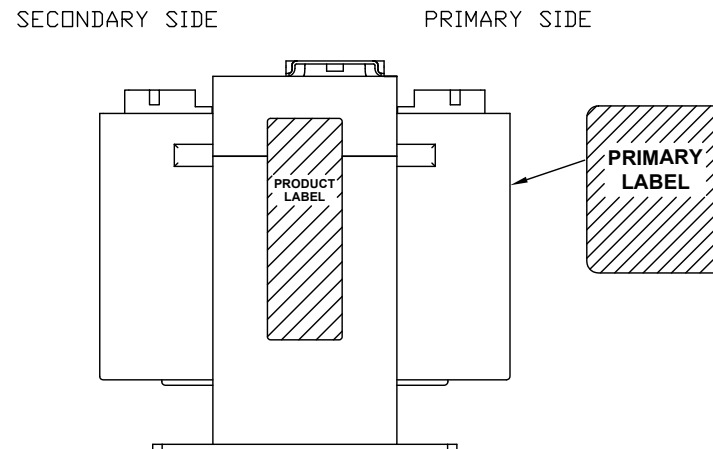
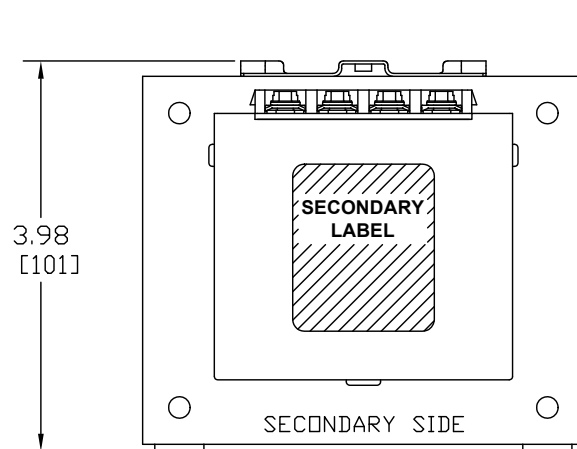


Transformer Specifications	
PRIMARY VOLTAGE(S)	240x480
SECONDARY VOLTAGE(S)	120x240
RATED V.A.	200
RATED FREQUENCY	50/60
INSULATION CLASS	130
AGENCY APPROVALS	UL, CUL
ESTIMATED WEIGHT	8.9 LBS



NOTES:

1. ALL MEASUREMENTS IN INCHES (MM)
2. TERMINAL SCREWS ARE COMBO #8-32 PHIL-SLOT-1/4" HEX WITH SEMS WASHER.



PACKAGED ACCESSORIES	
1	2 PAIR OF JUMPERS
-	-

MICRON INDUSTRIES CORPORATION
 CONTROL TRANSFORMER
 1211 W. 22nd STREET, SUITE 200, OAK BROOK, ILL.
 Tel. (800)664-4660, (630)516-1222 Fax (630)516-1820
 www.MicronPower.com

DATE	3/21/08	DRAWN	J.G.V	CHECKED		APPROVED	
------	---------	-------	-------	---------	--	----------	--

RELEASE DATE		CUSTOMER PART NO.	
--------------	--	-------------------	--

MICRON PART NO.	B200PU1519JJFA3
MICRON PART NO.	B200PU1519JJFB3

A	I3 CONSTRUCTION	AN00XXXX	XX	XXXX	SIZE	SCALE	B200PU1519JJF
ECL	REVISIONS		BY	DATE	C	NONE	