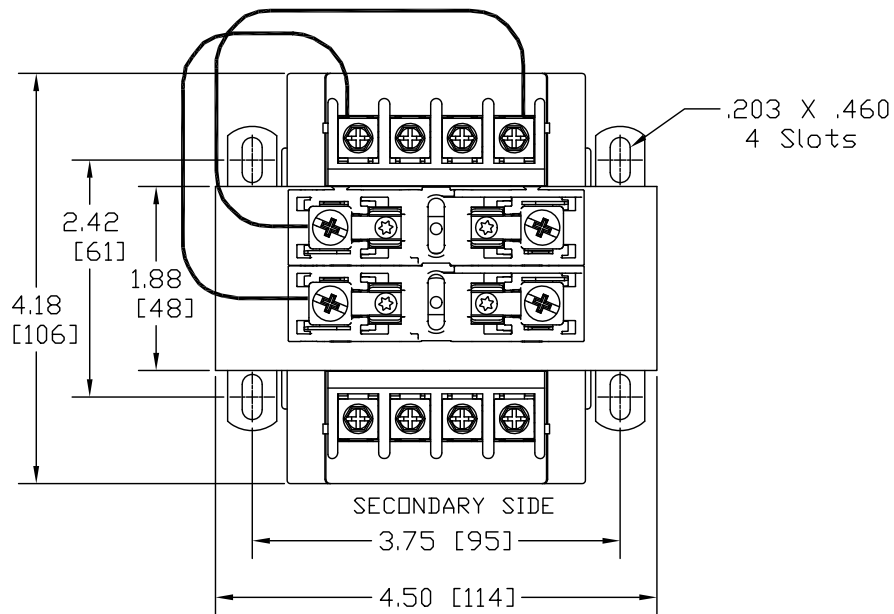


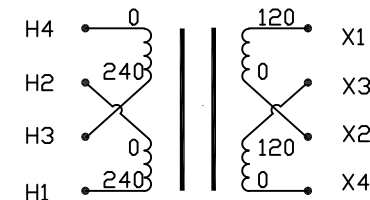
PRIMARY SIDE



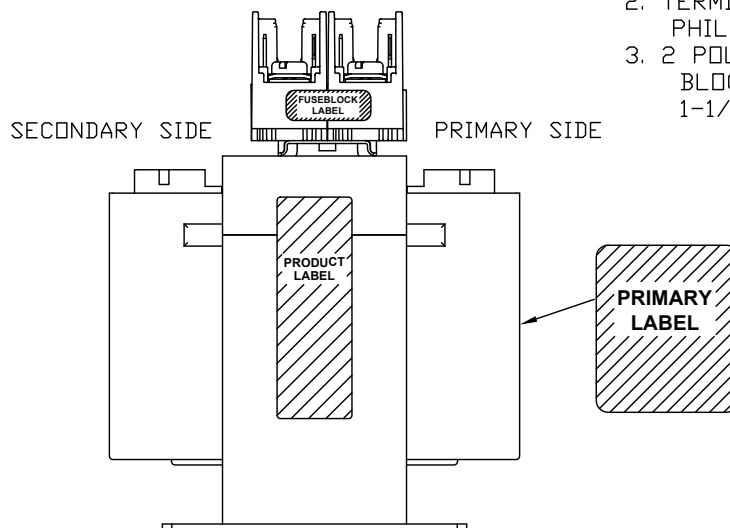
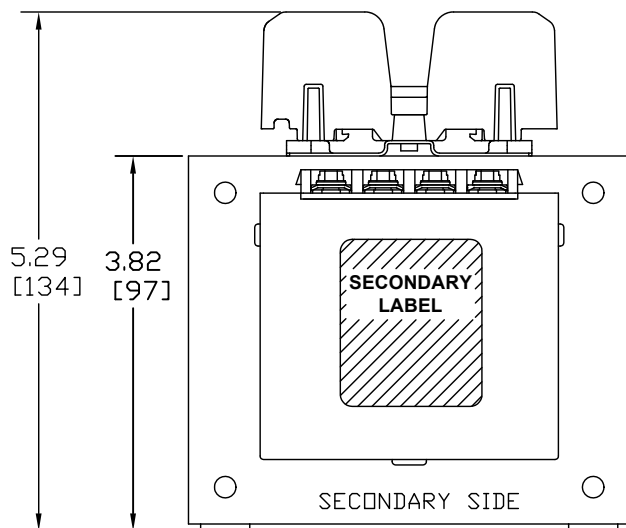
Transformer Specifications	
PRIMARY VOLTAGE(S)	240x480
SECONDARY VOLTAGE(S)	120x240
RATED V.A.	200
RATED FREQUENCY	50/60
INSULATION CLASS	130
AGENCY APPROVALS	UL, CUL
ESTIMATED WEIGHT	8.9 LBS

PRIMARY SIDE

SECONDARY SIDE



CONNECTION DIAGRAM



NOTES:

1. ALL MEASUREMENTS IN INCHES (MM)
2. TERMINAL SCREWS ARE COMBO #8-32 PHIL-SLOT-1/4" HEX WITH SEMS WASHER.
3. 2 POLE, CLASS "CC" PRIMARY FUSE BLOCK, ACCOMMODATES TWO 13/32" X 1-1/2" CLASS "CC" FUSES.

PACKAGED ACCESSORIES	
1	2 PAIR OF JUMPERS
-	-

MICRON CONTROL TRANSFORMER MICRON INDUSTRIES CORPORATION 1211 W. 22nd STREET, Suite 200, DAK BROOK, ILL. Tel. (800)664-4660, (630)516-1222 Fax (630)516-1820 www.MicronPower.com			
DATE	3/21/08	DRAWN	J.G.V
CHECKED		APPROVED	
RELEASE DATE		CUSTOMER PART NO.	
MICRON PART NO.	B200PU1519RRFA3		
MICRON PART NO.	B200PU1519RRFB3		
SIZE	C	SCALE	NONE
B200PU1519RRF			

A	I3 CONSTRUCTION	AN00XXXX	XX	XXXX
ECL	REVISIONS		BY	DATE