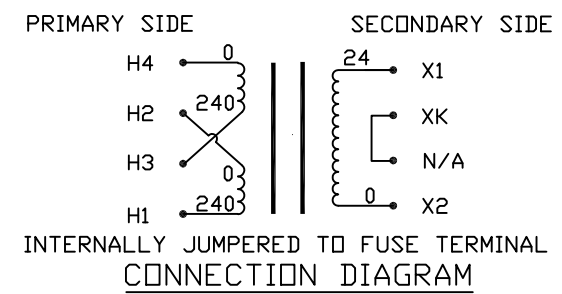
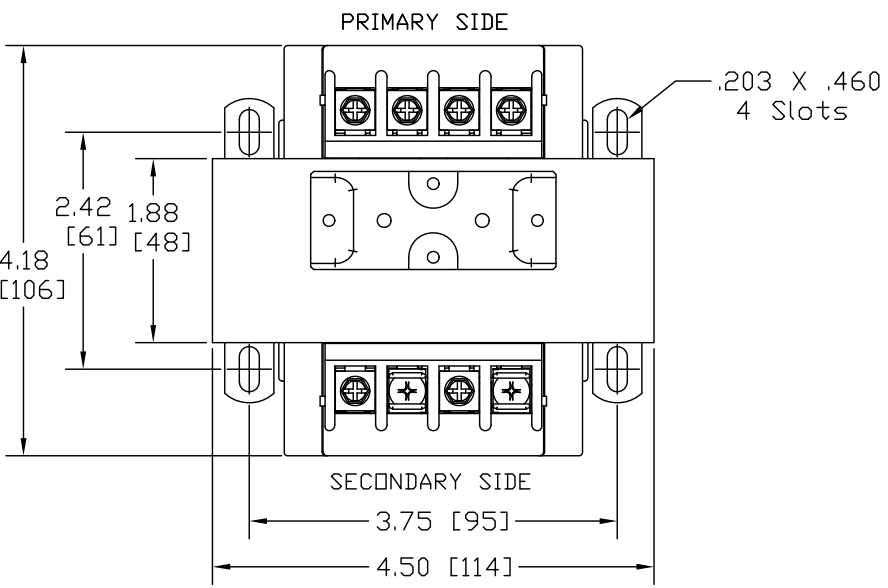
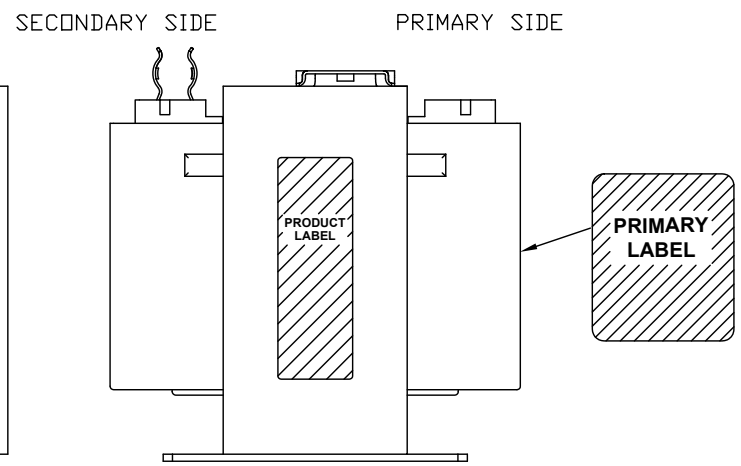
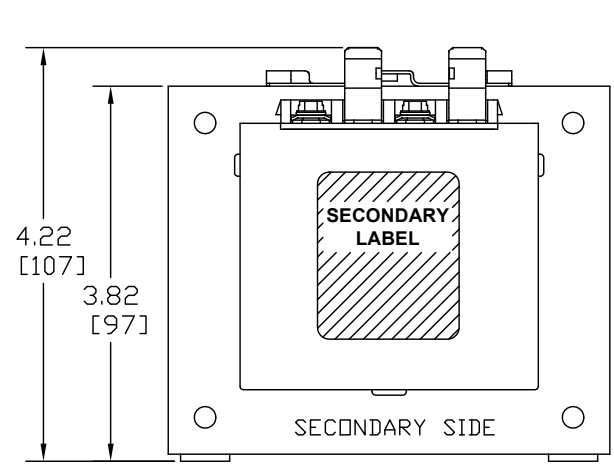


Transformer Specifications	
PRIMARY VOLTAGE(S)	240x480
SECONDARY VOLTAGE(S)	24
RATED V.A.	200
RATED FREQUENCY	50/60
INSULATION CLASS	130
AGENCY APPROVALS	UL, CUL
ESTIMATED WEIGHT	8.9 LBS



- NOTES:
1. ALL MEASUREMENTS IN INCHES (MM)
  2. TERMINAL SCREWS ARE COMBO #8-32 PHIL-SLOT-1/4" HEX WITH SEMS WASHER.
  3. SECONDARY FUSE CLIP ACCOMMODATES ONE 13/32" X 1-1/2" MIDGET FUSE.



PACKAGED ACCESSORIES	
1	1 PAIR OF JUMPERS
-	-

**MICRON INDUSTRIES CORPORATION**  
 CONTROL TRANSFORMER  
 1211 W. 22nd STREET, SUITE 200, DAK BROOK, ILL.  
 Tel. (800)564-4660, (630)916-1222 Fax (630)916-1820  
 www.MicronPower.com

DATE	1/25/08	DRAWN	J.G.V	CHECKED		APPROVED	
------	---------	-------	-------	---------	--	----------	--

RELEASE DATE		CUSTOMER PART NO.	
--------------	--	-------------------	--

MICRON PART NO. B200PU7JKFA3  
B200PU7JKFB3

A	I3 CONSTRUCTION	AN00XXXX	XX	XXXX	SIZE	SCALE
ECL	REVISIONS		BY	DATE	C	NONE

B200PU7JKF