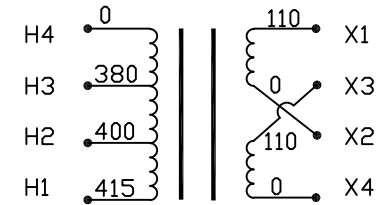
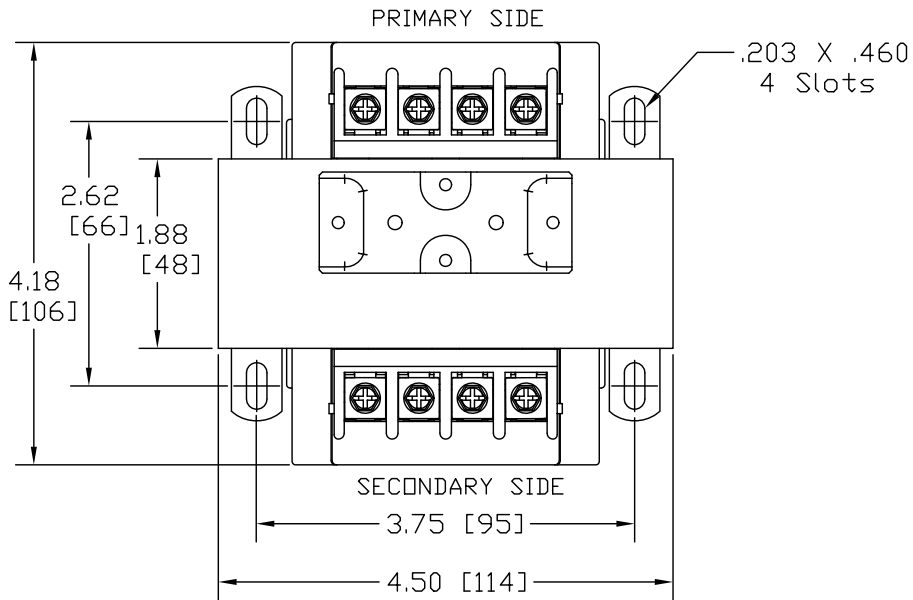
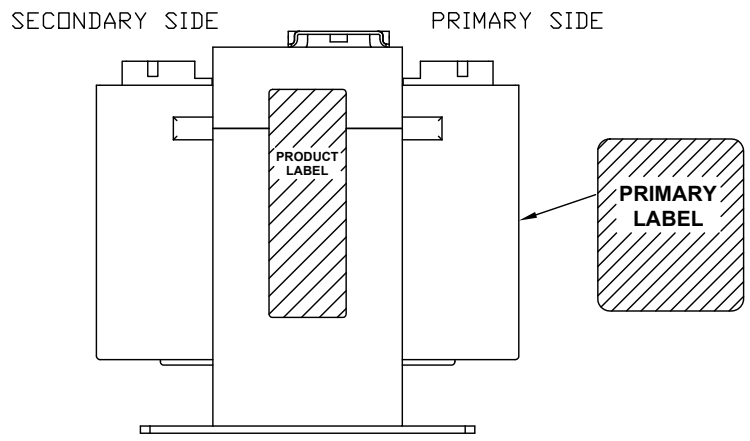
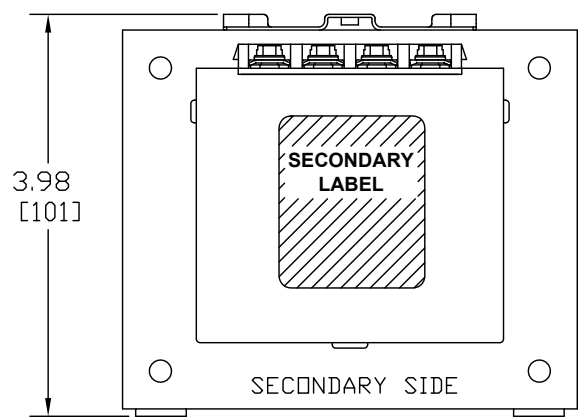


Transformer Specifications	
PRIMARY VOLTAGE(S)	380/400/415
SECONDARY VOLTAGE(S)	110x220
RATED V.A.	200
RATED FREQUENCY	50/60
INSULATION CLASS	130
AGENCY APPROVALS	UL, CUL
ESTIMATED WEIGHT	9.0 LBS



CONNECTION DIAGRAM

- NOTES:
1. ALL MEASUREMENTS IN INCHES (MM)
  2. TERMINAL SCREWS ARE COMBO #8-32 PHIL-SLOT-1/4" HEX WITH SEMS WASHER.



PACKAGED ACCESSORIES	
1	ONE PAIR J2 JUMPERS
-	-

**MICRON** CONTROL TRANSFORMER  
**MICRON INDUSTRIES CORPORATION**  
 1211 W. 22nd STREET, Suite 200, DAK BROOK, ILL.  
 Tel: (800)664-4660, (630)516-1222 Fax: (630)516-1820  
 www.MicronPower.com

DATE	12/26/07	DRAWN	J.G.V	CHECKED		APPROVED	
------	----------	-------	-------	---------	--	----------	--

RELEASE DATE		CUSTOMER PART NO.	
--------------	--	-------------------	--

MICRON PART NO. B200RFD34XJFA3  
 B200RFD34XJFB3

A	I3 CONSTRUCTION	AN00XXXXXX	XXXX
ECL	REVISIONS	BY	DATE

SIZE C SCALE NONE B200RFD34XJF