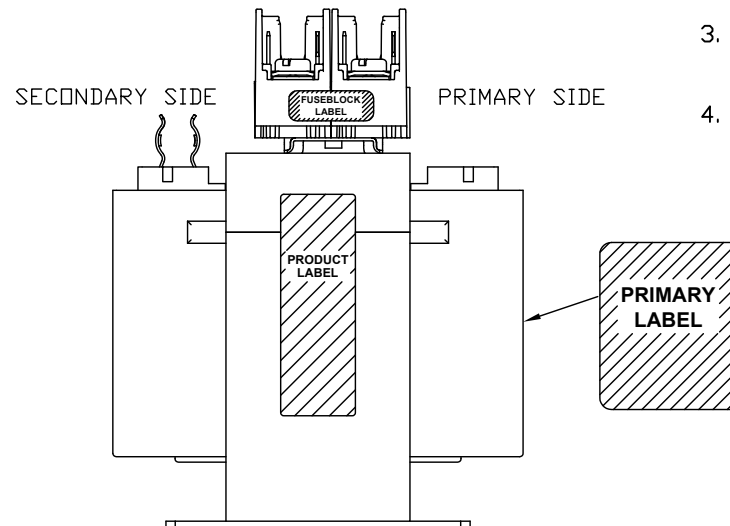
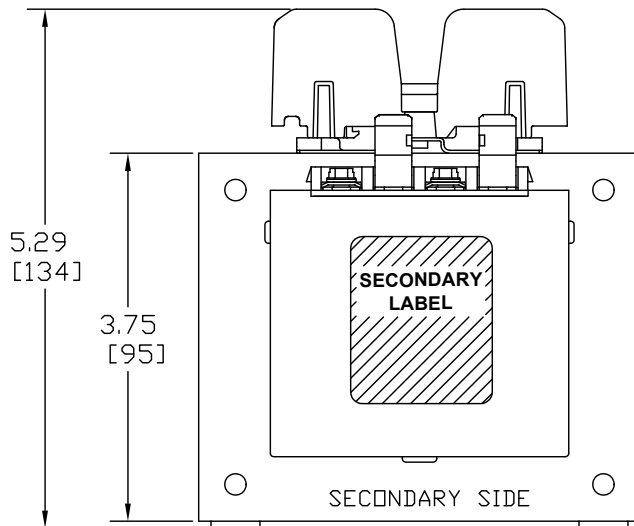
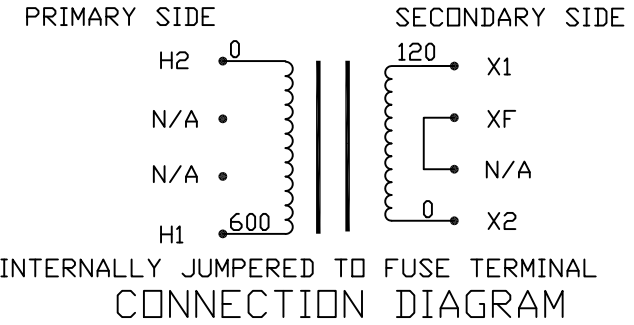


Transformer Specifications	
PRIMARY VOLTAGE(S)	575 (TRIPLE RATED)
SECONDARY VOLTAGE(S)	115
RATED V.A.	200
RATED FREQUENCY	50/60
INSULATION CLASS	130
AGENCY APPROVALS	UL, CUL
ESTIMATED WEIGHT	9.0 LBS



NOTES:

1. ALL MEASUREMENTS IN INCHES (MM)
2. TERMINAL SCREWS ARE COMBO #8-32 PHIL-SLOT-1/4" HEX WITH SEMS WASHER.
3. 2 POLE, CLASS "CC" PRIMARY FUSE BLOCK, ACCOMMODATES TWO 13/32" X 1-1/2" CLASS "CC" FUSES.
4. SECONDARY FUSE CLIP ACCOMMODATES ONE 13/32" X 1-1/2" MIDGET FUSE.

PACKAGED ACCESSORIES	
1	
-	-

MICRON INDUSTRIES CORPORATION
 1211 W. 22nd STREET, Suite 200, DAK BROOK, ILL.
 Tel. (800)664-4660, (630)516-1222 Fax (630)516-1820
 www.MicronPower.com

DATE	11/14/07	DRAWN	J.G.V	CHECKED		APPROVED	
RELEASE DATE		CUSTOMER PART NO.					
MICRON PART NO.	B200WZ13RKFA3			B200WZ13RKF B3			
SIZE	C	SCALE	NONE	B200WZ13RKF			

A	I3 CONSTRUCTION	AN00XXXX	XX	XXXX
ECL	REVISIONS		BY	DATE