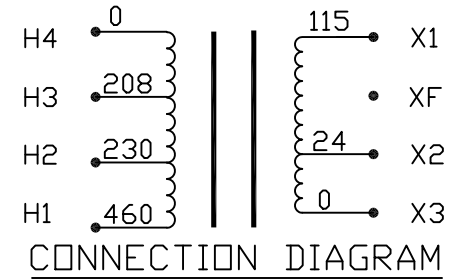
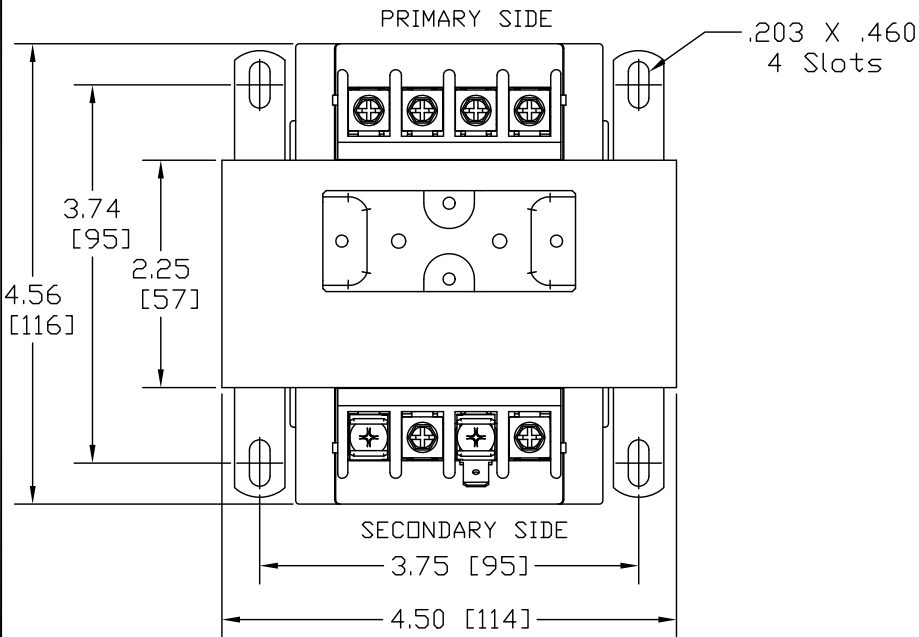
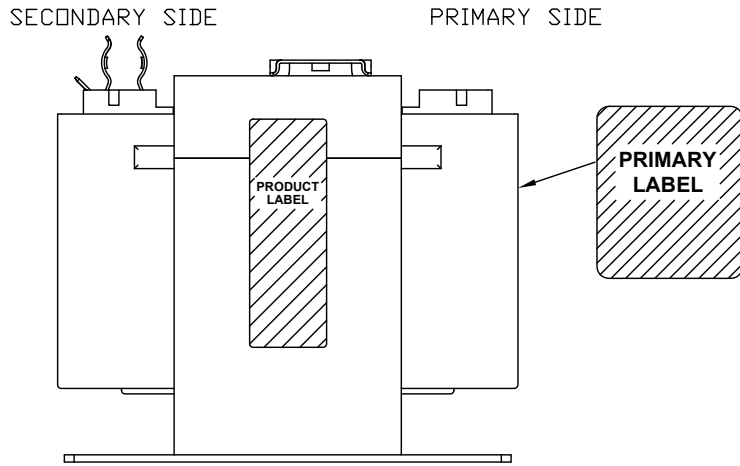
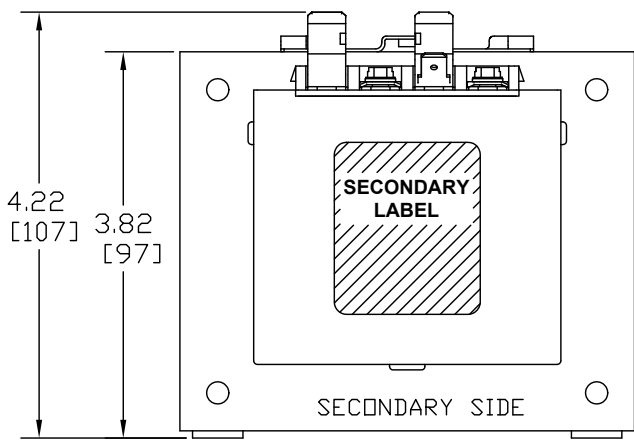


Transformer Specifications	
PRIMARY VOLTAGE(S)	208/230/460 (TRIPLE RATED)
SECONDARY VOLTAGE(S)	24/115
RATED V.A.	250
RATED FREQUENCY	50/60
INSULATION CLASS	130
AGENCY APPROVALS	UL, CUL
ESTIMATED WEIGHT	11.3 LBS



- NOTES:
1. ALL MEASUREMENTS IN INCHES (MM)
  2. TERMINAL SCREWS ARE COMBO #8-32 PHIL-SLOT-1/4" HEX WITH SEMS WASHER.
  3. SECONDARY FUSE CLIP ACCOMMODATES ONE 13/32" X 1-1/2" MIDGET FUSE.



PACKAGED ACCESSORIES	
-	-

**MICRON**  
CONTROL TRANSFORMER

**MICRON INDUSTRIES CORPORATION**  
777 CHURCH ROAD ELMHURST, IL 60126  
Tel. (800)664-4660, (630)516-1822 Fax (630)516-1820  
www.MicronTransformers.com

DATE	3/18/08	DRAWN	J.G.V	CHECKED		APPROVED	
RELEASE DATE		CUSTOMER PART NO.					
MICRON PART NO.		B250-2005-1FA3		B250-2005-1FB3			
SIZE	A	SCALE	NONE	B250-2005-1F			

A	I3 CONSTRUCTION	AN00XXXX	XX	XXXX
ECL	REVISIONS		BY	DATE