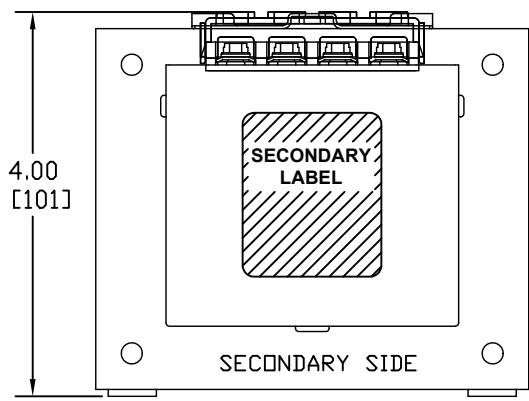
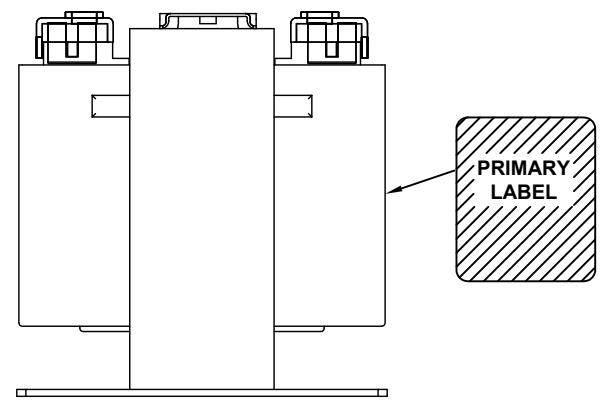


CONNECTION DIAGRAM

RATING: 250VA 50/60HZ  
 PRI. 380 VOLTS  
 SEC. 24 VOLTS  
 TEMP.CLASS 130  
 PER IEC 588



SECONDARY SIDE      PRIMARY SIDE



NOTES:

1. ALL MEASUREMENTS IN INCHES (MM)
2. TERMINAL SCREWS ARE COMBO #8-32 PHIL-SLOT-1/4" HEX WITH SEMS WASHER.
3. IP-20 TERMINAL COVERS INSTALLED

PACKAGED ACCESSORIES	
1	PAIR OF JUMPERS
-	-

**MICRON INDUSTRIES CORPORATION**  
 1211 W. 22nd STREET, Suite 200, DAK BROOK, ILL.  
 Tel. (800)664-4660, (630)516-1222 Fax (630)516-1820  
 www.MicronPower.com

DATE	2/16/10	DRAWN	J.G.V	CHECKED		APPROVED	
RELEASE DATE		CUSTOMER PART NO.	CUTLER HAMMER #CE0250E2ACEFS				
MICRON PART NO.	B250-2056-GAFA3						
A	I3 CONSTRUCTION	AN00XXXX	XX	XXXX	SIZE	SCALE	B250-2056-GAF
ECL	REVISIONS		BY	DATE	C	NONE	