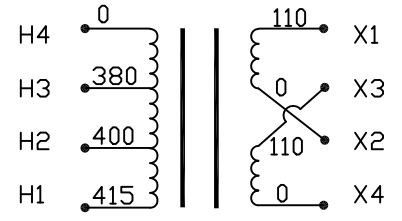
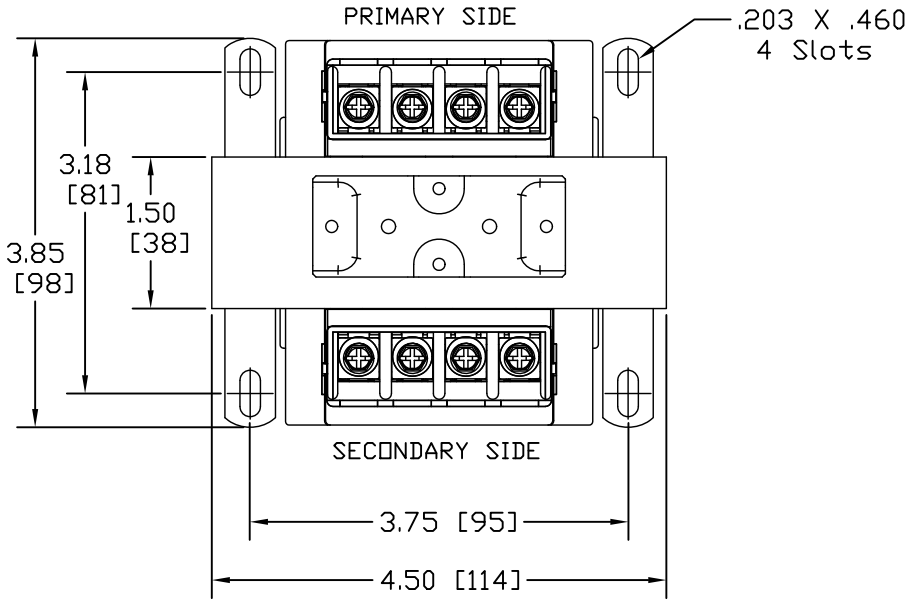
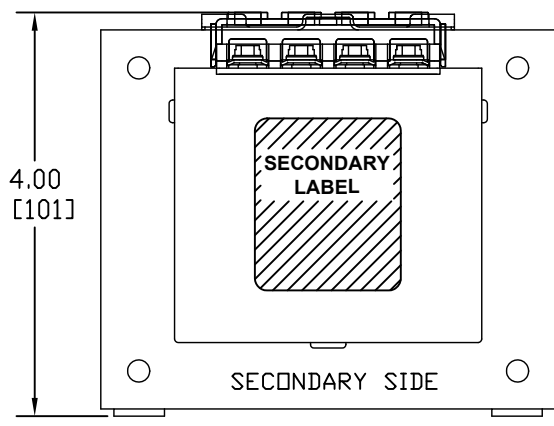


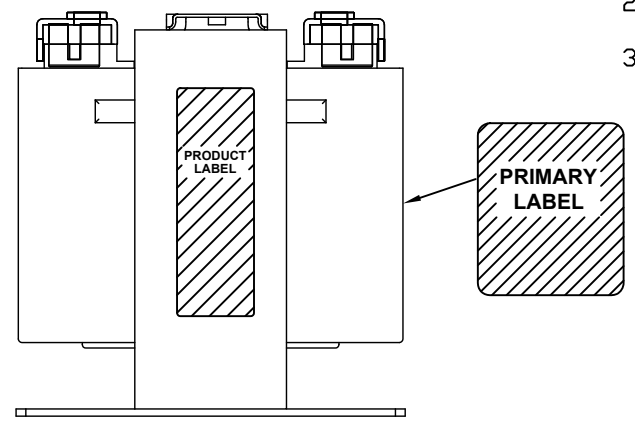
Transformer Specifications	
PRIMARY VOLTAGE(S)	380/400/415
SECONDARY VOLTAGE(S)	110x220
RATED V.A.	250
RATED FREQUENCY	50/60
INSULATION CLASS	130
AGENCY APPROVALS	UL, CUL, IEC558-2-2
ESTIMATED WEIGHT	7.8 LBS



CONNECTION DIAGRAM



SECONDARY SIDE PRIMARY SIDE



- NOTES:
1. ALL MEASUREMENTS IN INCHES (MM)
 2. TERMINAL SCREWS ARE COMBO #8-32 PHIL-SLOT-1/4" HEX WITH SEMS WASHER.
 3. IP-20 TERMINAL COVERS INSTALLED

PACKAGED ACCESSORIES	
1	ONE PAIR OF JUMPERS
-	-

MICRON INDUSTRIES CORPORATION
 CONTROL TRANSFORMER
 777 CHURCH ROAD - ELMHURST, IL 60126
 Tel: (630)516-4664, (630)516-1929 Fax: (630)516-1920
 www.MicronTransformers.com

DATE	2/15/10	DRAWN	J.G.V	CHECKED		APPROVED	
RELEASE DATE		CUSTOMER PART NO.					
MICRON PART NO.	B250-2066-GAFA3			B250-2066-GAFB3			
SIZE	A	SCALE	C	NONE	B250-2066-GAF		

A	I3 CONSTRUCTION	AN00XXXX	XX	XXXX	SIZE	C	SCALE	NONE
ECL	REVISIONS		BY	DATE				