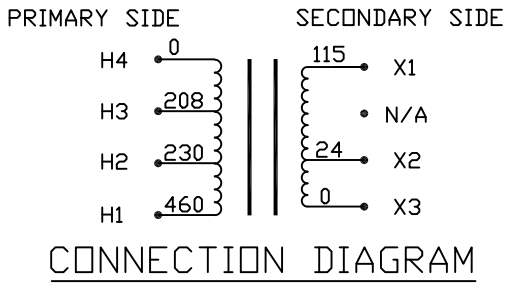
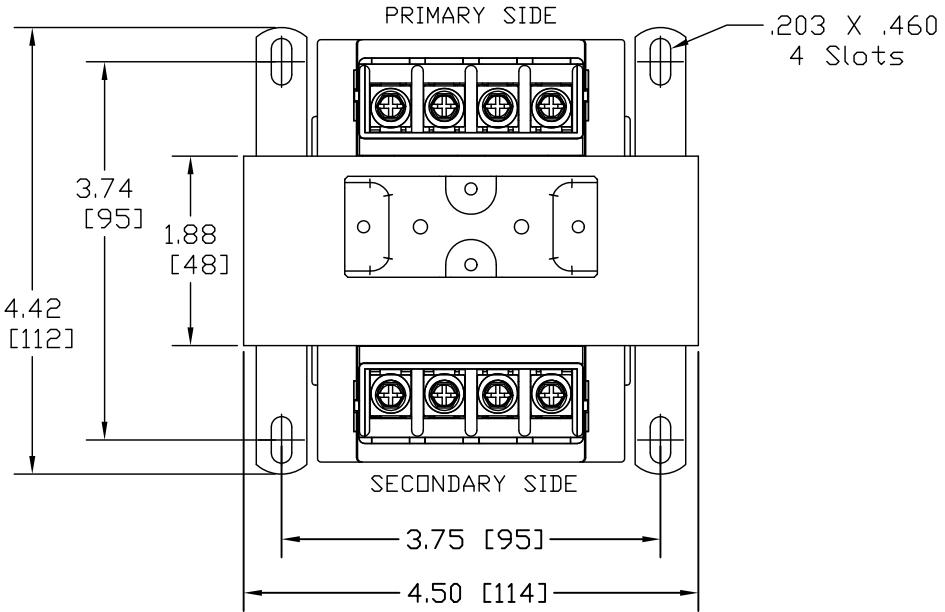
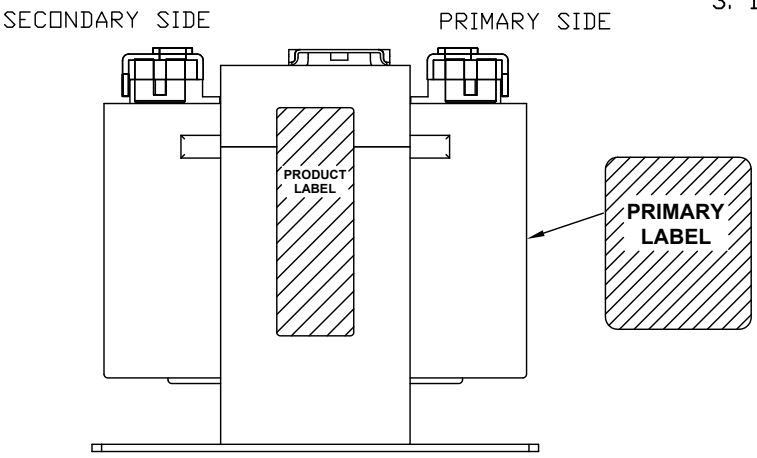
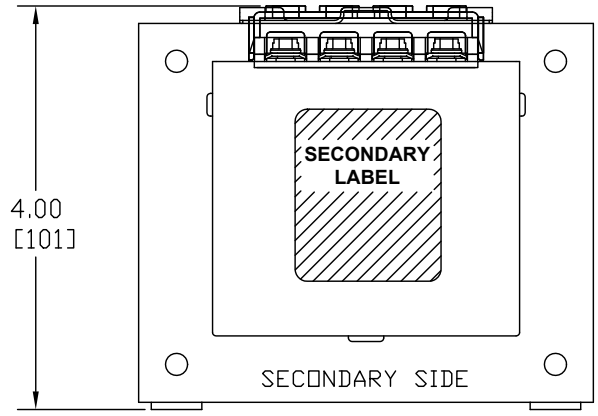


Transformer Specifications	
PRIMARY VOLTAGE(S)	208/230/460 TRIPLE RATED
SECONDARY VOLTAGE(S)	24/115
RATED V.A.	250
RATED FREQUENCY	50/60
INSULATION CLASS	130
AGENCY APPROVALS	UL, CUL, IEC558-2-2
ESTIMATED WEIGHT	10.1 LBS



- NOTES:
1. ALL MEASUREMENTS IN INCHES (MM)
 2. TERMINAL SCREWS ARE COMBO #8-32 PHIL-SLOT-1/4" HEX WITH SEMS WASHER.
 3. IP-20 TERMINAL COVERS INSTALLED



PACKAGED ACCESSORIES			
-	-	-	-
MICRON INDUSTRIES CORPORATION <small>TEL: (630) 252-3100 FAX: (630) 252-3100 TEL: (800) 664-4660 (630) 516-1222 FAX: (630) 516-1222 www.MicronPower.com</small>			
DATE	DRAWN	CHECKED	APPROVED
01/05/10	RN		
RELEASE DATE	CUSTOMER PART NO.		
	B250-2106-GAFA3		
	B250-2106-GAFB3		
SIZE	SCALE		
C	NONE	B250-2106-GAF	

REV	DESCRIPTION	BY	DATE
A	I3 CONSTRUCTION AN00XXXX	XX	XXXX
ECL	REVISIONS		