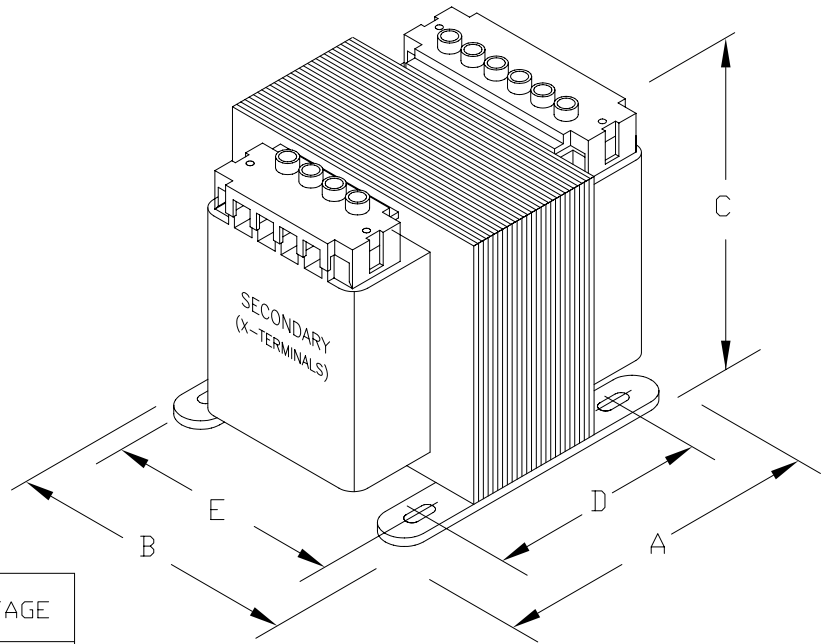


CONNECTION DIAGRAM



CONNECTION TABLE

INPUT VOLTAGE				OUTPUT VOLTAGE		
H1-H2	H1-H3	H1-H4	H1-H5	X1-X2	X1-X3	X1-X4
208			500	85	100	110
220	380	440	550	91	110	120
230	400	460	575	95	115	125
240	416	480	600	99	120	130

PROVIDED WITH SAFE TOUCH TERMINAL COVERS  
NO INTEGRAL FUSING CAPABILITY.

DIMENSIONS							APPROX. WT. LBS (KG)
	A	B	C	D	E	MTG. SLOTS	
INCHES (MM)	4.25 (108)	4.50 (114)	4.00 (102)	3.44 (87)	3.75 (95)	0.203X0.460 (5.1X11.7)	



**MICRON INDUSTRIES CORPORATION**  
777 CHURCH ROAD - ELMHURST, IL 60126  
Tel. (800) 664-4660, (630) 516-1222 Fax (630) 516-1820  
www.MicronTransformers.com

CAT. NO.	<b>B250-2283-GAF</b>		CONST. <b>ENCAPSULATED</b>				UL LISTED
			MODEL <b>GLOBALTRAN</b>				
<b>RATING</b>							SP CERTIFIED
OUTPUT AMPS	1.92	PRIMARY V	240/416/480/600, 230/400/460/575, 220/380/440/550, 208/500		TEMP. CLASS	HZ 50/60	
VA	250	SECONDARY V	99/120/130, 95/115/125, 91/110/120, 85/100/110		130°C	REVISION <b>G</b>	CE IEC 61558